

VL
VIEWLIGHT
POWERED BY INNOVATION

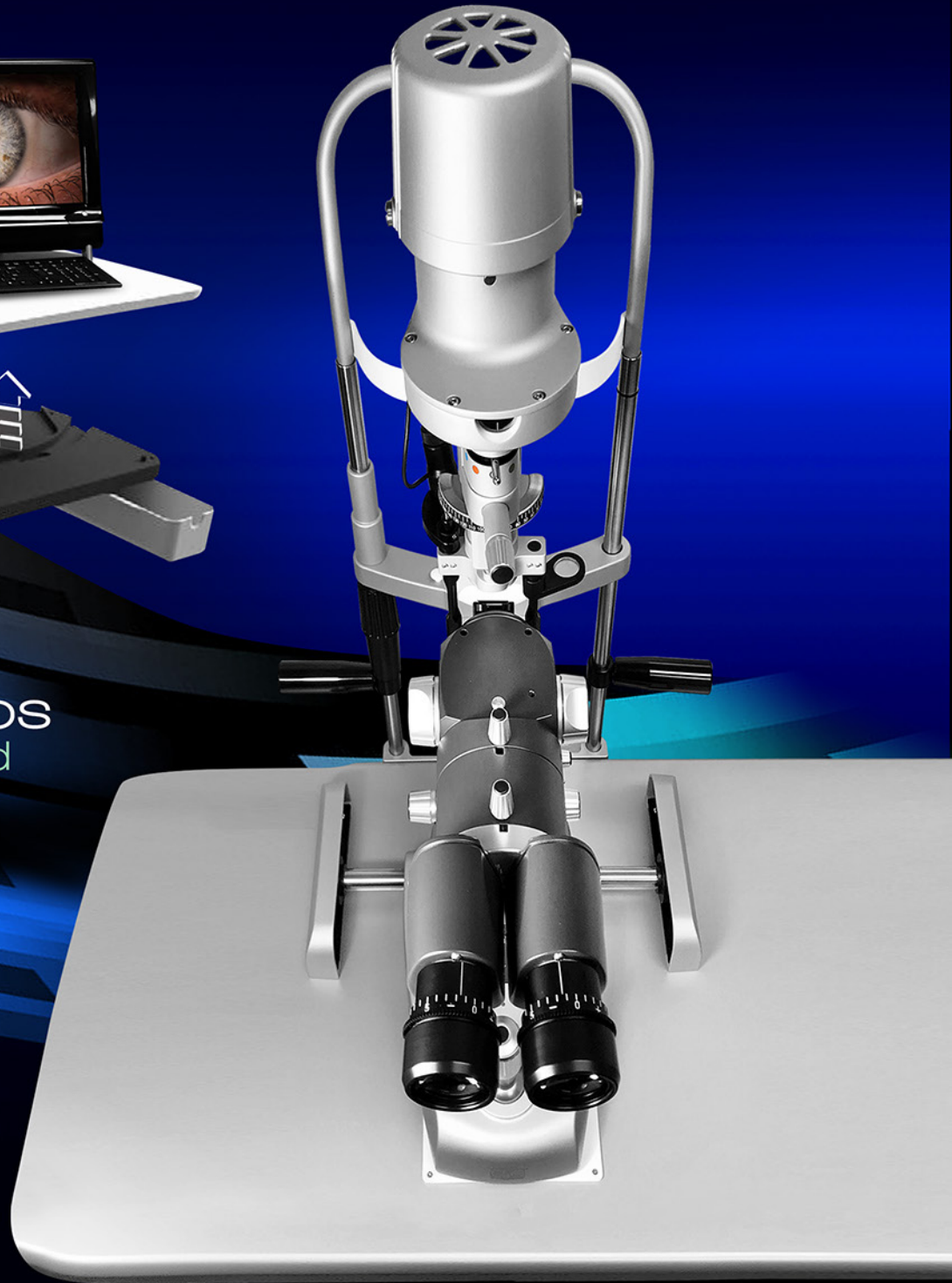
CS®

Slit Lamp SL-9900

Elite



Tabletops
Not Included



LED

FDA



SLIT LAMPS



The new SL-9900 ELITE slit lamps, works with an innovative LED illumination system. Offers a new beam splitter equipped with the new high resolution digital camera, and it has been designed for whom wants high performances and smart design.



5^x

Magnification Tuners

The SL-9900 Elite slit lamps have multiple continuous enlargements, giving a clear, brilliant and a well contrasted images thanks to the multi-layer antireflection treatment.

Galilean magnification changer with converging eyepieces

Magnification	6x, 10x, 16x, 25x, 40x
Light Source	LED
Built-in Yellow Filter	Yes
Digital Imaging Ready	Yes
Optional Eyepieces	No
Weight (Lbs/Kg)	45 / 20



Maneuver Joystick

SL-9900 Elite slit lamps are built with a precise, smooth and high quality joystick. It provides lateral, longitudinal and vertical movements during all patients examinations. Enables you to optically change the illumination field up by a single click actions; ideal for contact lens fitting observation.



Precise Slit Lamp Adjusters

The SL-9900 Elite slit lamps are built with high quality optics and precision mechanical parts feasible for all adjustable slit positions designed for comfort and a new experience while capturing & recording all examinations.





Illumination System

The advanced SL-9900 Elite offers a new LED illumination source therefore allowing the examination with very comfortable and bright experience while taking clear pictures with each magnification device.

1. LED Light Diffuser
2. LED Background Illumination (Built-in)
3. Lighting Card Red LED Reflex

↻ Lightning Card Red LED Reflex

SL-9900 Elite slit lamps are built with a tilting device where the diagonal light sources can be vertically projected up to 20° with 5° intervals. This shows to be very helpful in the horizontal optical observation gonioscopy & posterior eye examination.



⊖ Filter Insertion Control + Lever

Slit lamp SL-9900 Elite features an optical filter device controller which can selectively transform light of different wavelengths used in many applications available filters: Blue, Red, Gray, Green (Red free).



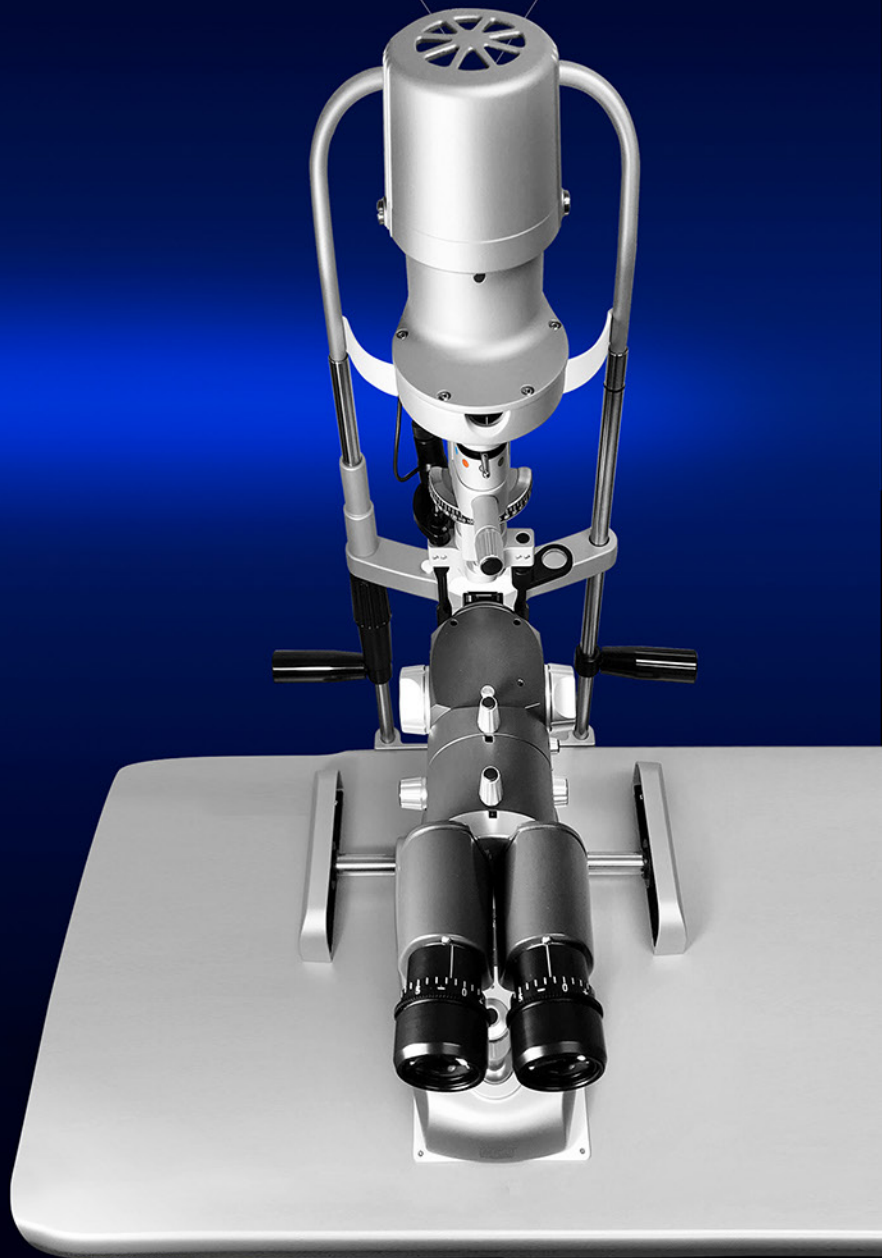
LED Illumination

The SL-9900 Elite offers an LED illumination lamp designed for accurate and detailed observations. The life of the LED is longer than 50,000 working hours and its color temperature is constant in each situation.



High Quality Optics

L-0990 Elite slit lamps provides excellent high optics and excellent image quality for all ophthalmology demands. These converging microscope optics provides comfort to the user when using the slit lamp. All the microscopes have a yellow filter to improve the image quality during fluorescein tests.



Phoenix Software



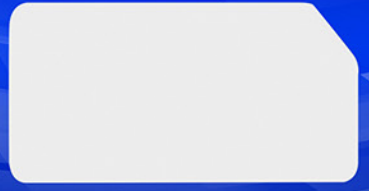
The SL-9900 - Elite slit lamps includes a Phoenix software technology which manages to collect data, measurements, captures high quality photos and video for all conducted examinations. Also features an image comparison, drawing tools, user calibration sources, network database, and language converters.



Model: 100710807



Viewlight Monitor
Optional



Model: 100710805

LIFT Electrical Tables (LIFT-01 & LIFT-02)

CSO sturdy and secured instrument table features an adjustable height sequence designed for 1-2 optical instrument configurations.



Model: 100710803

Table Tops (Not Included)

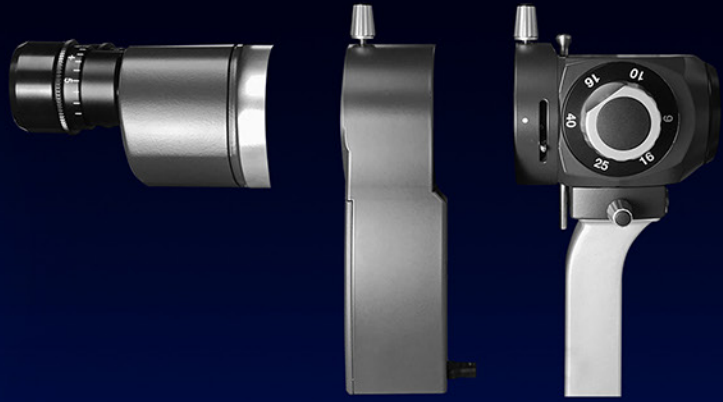
All CSO surfaces of these tables are designed to be very rigid with minimum deflection so that the alignment of optical elements remains stable over time



Model: 100710801



Accessory Drawer



HR Elite Digital Video Camera

CSO's latest improved MIZAR digital video camera designed with hardware, firmware and optimized for all ophthalmic purposes. HR ELITE digital camera is based on a high performances CCD sensor, an excellent color rendering and a integrated **Phoenix Software**.



Canon Cameras

SL-9900 Elite slit lamps are designed to incorporate optional accessories such as the beam splitter and camera adaptor so that it can be attached with the stylish Canon professional camera.

1. Digital Camera Beam Splitter (Optional)

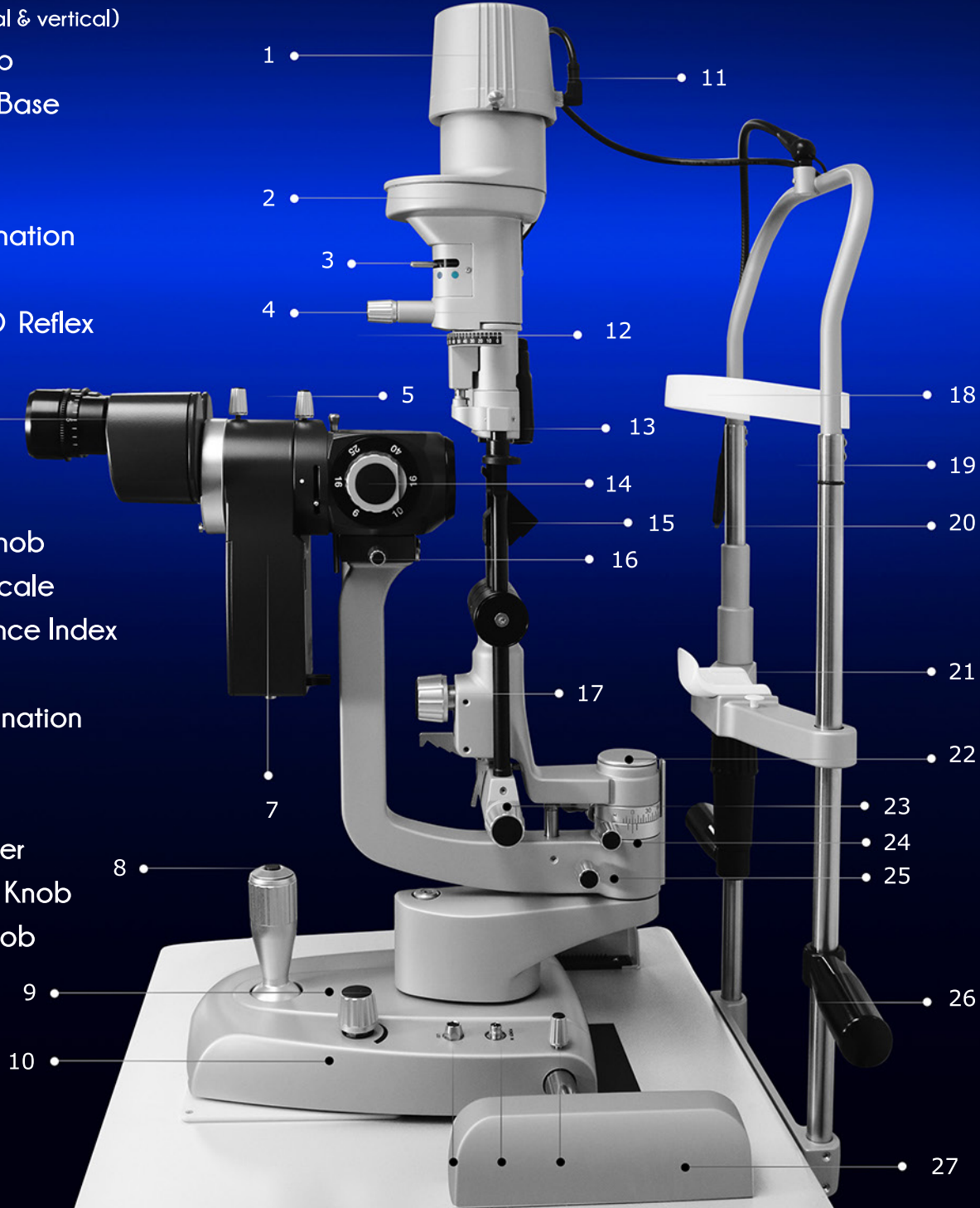
Specifications:



Slit Lamp SL-9900 ELITE

1. Light Bulb / LED Cover
2. Slit Height Value Index
3. Filter Selection Knob
4. Slit Height Adjuster / Tuner
5. Microscope Splitter Knob
6. Extractable Eyepieces
7. Digital Video Camera
8. Joystick (lateral, longitudinal & vertical)
9. Brightness Control Knob
10. Orthogonally Moving Base
11. Radiated Scale
12. Magnification Tuner
13. LED Background Illumination
14. Magnification Tuner
15. Lighting Card Red LED Reflex

16. Microscope Locking Knob
17. Projector Positioning Scale
18. Eye Positioning Reference Index
19. Head Rest
20. Fixation Point LED Illumination
21. Chin-Rest
22. Tonometer Plate
23. Chin-rest Height Adjuster
24. Microscope Arm Fixing Knob
25. Projector Arm Fixing Knob
26. Patient's Handle
27. Wheel Shields
28. LED Light Cable
29. Power Supply Cable
30. Device Base Lock





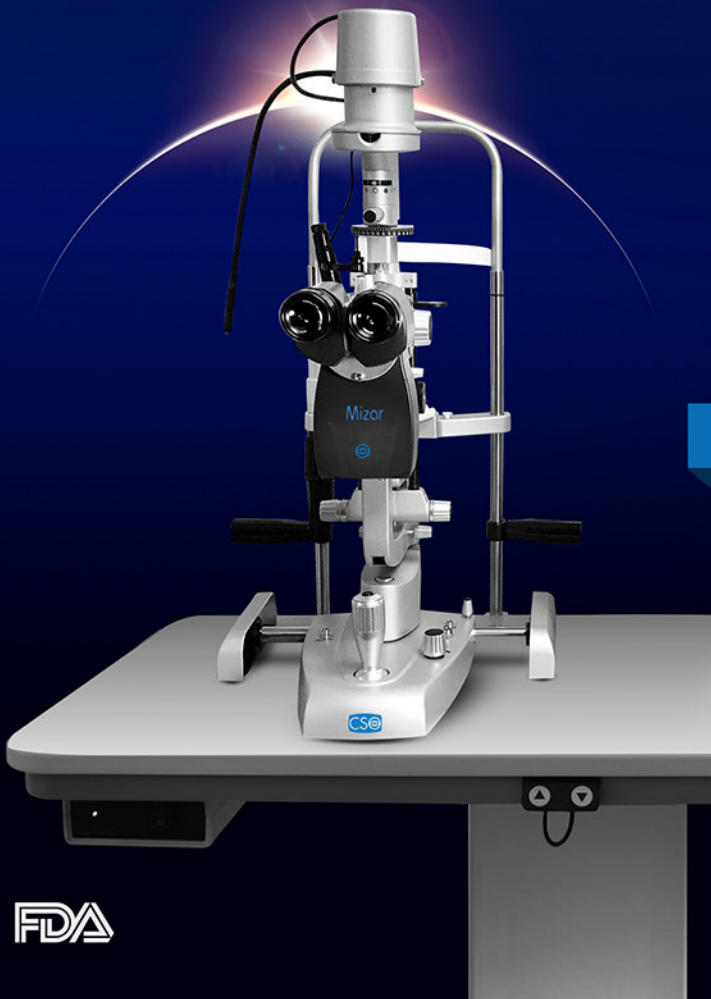
Specifications

Slit Lamp SL-9900

Elite

Stereoscopic Microscope

Microscope		5x
Type	Galilean convergent with magnification change system	
Eyeiece Convergence Angle	6°	
Eyeieces	12.5x	
Eyeiece Adjustment	±8 D.	
Magnifications	6x 10x 16x 25x 40x	
Field of View	8,5x 14,8x 25,6x	
Interpupillary distance	41mm to 5,7mm	
Position	Five Position - Step Rotary	
Barrier filter	Yellow	



Technical Data

Slit Projection	1X
Slit Width (setting continuous)	0 - 12 mm
Slit length (setting continuous)	1- 12 mm
Slit Length (max)	12 mm
Apertures	12, 9, 5, 3, 1, 0.2 mm
Filters	Blue, Red, Gray, Green (Red free)
Light Diffuser	Light Diffuser
Background Light	Standard (Included)
Slit Rotation	± 90° continuous (Tabo system)
Slit Angle	Variable 0° 5° 10° 15° 20°
Rotation - Slit projection	±90°, angular scale, ref. on 0° and ±10°
Working Distance	80 mm
Joystick Push Button	Only with Digital Vision HR
Left / Right Detection	Only with Digital Vision HR
Voltage	15V DC 1A
Light Source	White LED
Brightness	248000 LUX continuous adjustment
Dimensions (HxWxD)	675 x 313 x 335mm
Weight	7 kg

System Requirements (Version Digital HR)

PC:	4 GB RAM
Video Card:	1 GB RAM
Resolution:	1024 x 768 pixels
USB	3.0 Type A
Operating System	Windows XP, Windows 7 and Windows 10 (32/64 bit).