

# NON-CONTACT TONOMETER FT-1000

AUTOMATED AIR-PUFF TONOMETER

## DELIGHT IN SIGHT

Maximum comfort.  
For all.



- Touch screen alignment system
- Soft and silent air pulse
- High-speed measurement
- Auto alignment + auto measurement
- Cornea thickness related IOP correction

 **TOMEY**  
TECHNOLOGY AND VISION

# THE TOMHEY NON-CONTACT TONOMETER FT-1000



## QUALITY IN DETAIL

FT stands for Friendly Tonometer. Friendly because of the very silent and soft air pulse. This makes the **FT-1000** very convenient for the patient.

### TOUCH SCREEN ALIGNMENT SYSTEM

The 5.7 inch coloured touch screen is used as operating monitor as well as for displaying all measured values. You can even move the head in all directions by simply touching the screen. All commands can be done via touch screen.

### CORNEA THICKNESS RELATED IOP

You can easily adjust the measured IOP data according to the central corneal thickness. The calculation formula used by the **FT-1000** is individually adjustable to your own preference.

### AUTO ALIGNMENT + AUTO SHOT

The handling of the **FT-1000** is very easy – it does almost everything by itself. Alignment and measurement are done automatically. You just roughly align the system towards the patient's eye and the rest is taken care of by the instrument. With a tip on the screen the system automatically moves to the left or right eye.

### SOFT AND SILENT AIR PULSE

For the comfort of your patient the **FT-1000** is designed to use a very soft air pulse. Even the noise generated by the system is reduced to the minimum. This relaxes your patient and ensures highly accurate results.

### HIGH SPEED MEASUREMENT

If you choose the multi shot option the system produces up to three air pulses in an extremely short sequence (0.1 seconds each).



Auto alignment / auto shot



Data list

## SPECIFICATIONS

### MEASURING INTRAOCULAR PRESSURE

**Measurement range** 0-60 mm Hg  
(0-30 mm Hg / 25-60 mm Hg)

**Measurement** 1 mm Hg (1 hPA) increments  
within the measurement range

### ENERGY AND OTHER CONSUMPTION

**Light source** Light emitting diode

**Wavelength** 880 nm

**Output** Alignment < 50  $\mu$ W  
(Limit 1:210  $\mu$ W)  
Measurement < 100  $\mu$ W  
(Limit 1: 3200  $\mu$ W, t = 0.05 s)

### SIGHT-FIXING LAMP

**Light source** Light emitting diode (3-colour chip)

**Wavelength** Red 630 nm  
Green 520 nm  
Blue 470 nm

**Output** Red < 0.1  $\mu$ W (Limit 1:3.7  $\mu$ W)  
Green < 0.1  $\mu$ W (Limit 1:3.7  $\mu$ W)  
Blue < 0.1  $\mu$ W (Limit 1:3.7  $\mu$ W)

### LIGHT FOR ANTERIOR EYE SEGMENT

**Light source** Light emitting diode

**Wavelength** 780 nm

**Output** < 100  $\mu$ W (Limit 1: 450  $\mu$ W)  
1 AEL Class 1 Conforming  
to IEC 60825-1:2001

**Standards applied** MDD ANNEX II, ISO 13485

### MAIN UNIT

**Built-in printer** Thermosensitive line printer

**Stroke of moving section** 88 mm (X-axis)  
40 mm (Y-axis)  
45 mm (Z-axis)

**Stroke of chin rest** 70 mm

**Data output type** RS-232C

**Display** 5.7" colour LCD

### DIMENSIONS & ELECTRICAL REQUIREMENTS

**Dimensions WDH** 306 x 493 x 463 mm

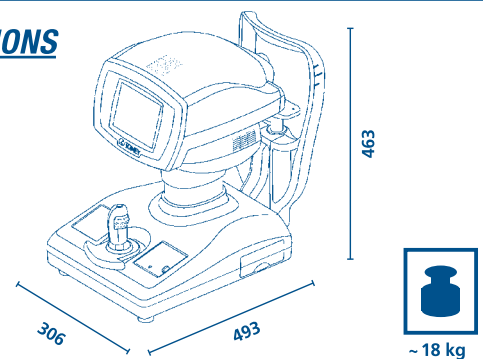
**Weight** Approx. 18 kg

**Power supply** AC 100 V to 240 V

**Frequency** 50/60 Hz

**Power consumption** Less than 85 VA

## DIMENSIONS



**TOMEY EUROPE**  
TOMEY GmbH  
Wiesbadener Straße 21  
90427 Nürnberg, Germany  
Phone +49 911 938 546 2 0  
Fax +49 911 938 546 2 20  
Email info@tomey.de

**TOMEY ASIA-PACIFIC**  
TOMEY CORPORATION JAPAN  
2-11-33 Noritakeshinmachi  
Nishi-ku, Nagoya 451-0051, Japan  
Phone +81 52 581 5327  
Fax +81 52 561 4735  
Email intl@tomey.co.jp



**TOMEY**  
TECHNOLOGY AND VISION

www.tomey.de