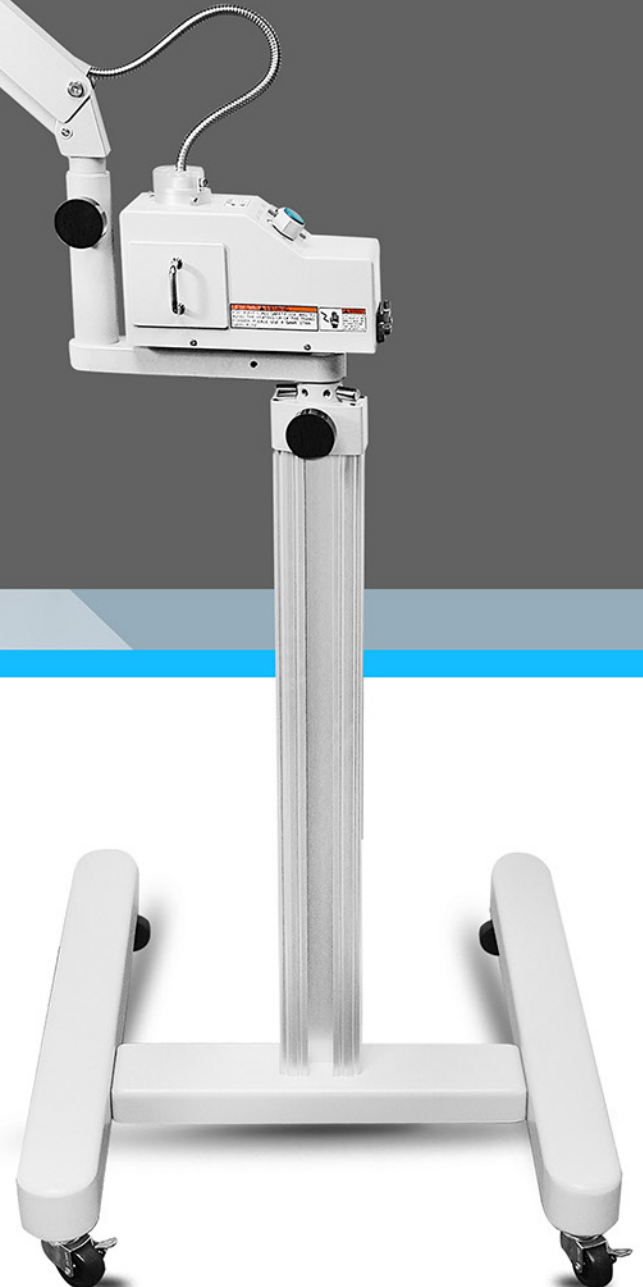




Inami
Portable Microscopes
L-0940-SD





Viewlight USA - Inami Microscopes

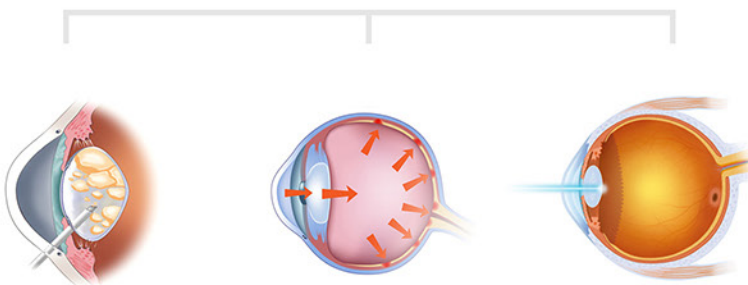
Inami portable operation microscopes are ergonomically designed with user friendly features of magnification drum rotation, wide range of expandability and high quality optics.

Surgical Operation Main Microscope

- Model: Galilean-Type Binocular
- Magnification: Continuous Zoom with 2 changes (6x, 18x)
- Objective Lens: F=250mm
- Eyepiece: Fields of view at 12.5x - 17mm diameter
- Light Source: Halogen lamp Bulb 12V light
- Filters: Cobalt, Red-free, Heat Absorption and 1/2ND

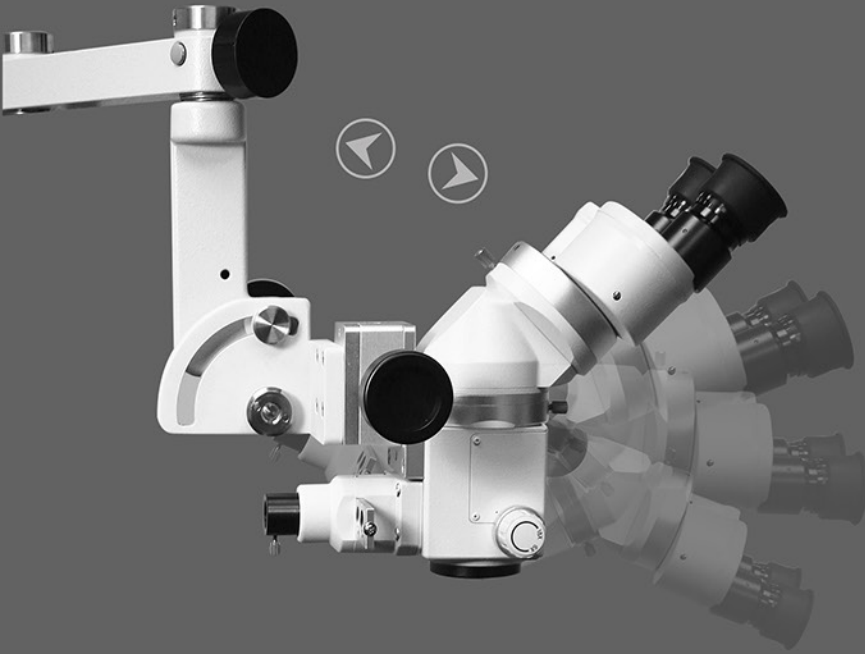


Inami



Quality Meets Affordability Best Prices in the Market

- Coaxial Illumination
- Suitable for all anterior and posterior surgery
- 2 magnification drum rotation
- Brilliant red reflex view for phaco & catarat surgery
- Magnification continuous zoom drum rotation
- Illumination filters microscopy
- 15V halogen lamp light dource
- Continous light intensity controller
- Foot remote controller



Adjustable Microscope Head System

Inami's L-0940-SD portable microscope head adjuster provides a motorized powered focus with measurements that can be taken directly on screen, and an automatically generate a report data with all necessary images.



MANUAL
ZOOM
6x-18x



ZOOM Magnification Adjustment

The power focusing and adjustable 2 steps continuous magnification (6x - 18x) ranges by a field of view of 51~ 8mm, pupillary adjustment 50~75mm, objective lens F=175mm, and diopter adjustment -6D - ±5D



High Quality Optics Binoculars

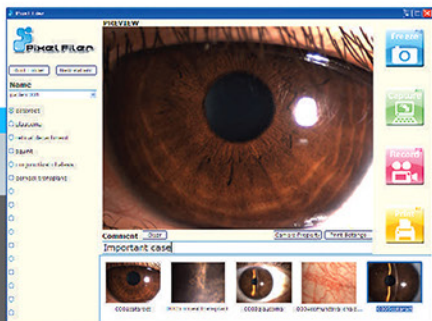
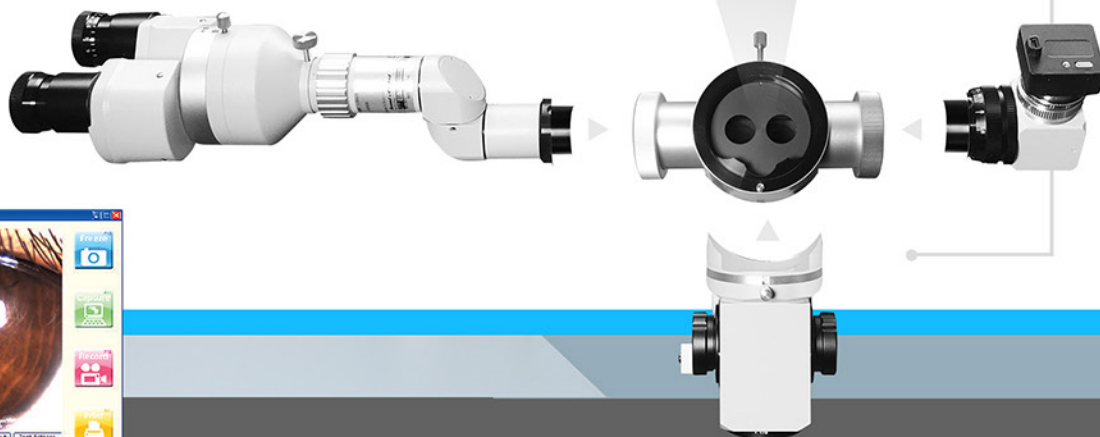
Inami's L-0940-SD portable slit lamps provides a convergent type binocular microscope for high quality optics and excellent image quality for all ophthalmology demands.

Microscopes Accessories

Not Included



This ergonomic design microscope features an optional C mount system, beam splitter, assistant binocular microscope, and video USB camera.



Resolution

Frame rate

Speed

Cost performance



Digital Video Camera

1.

Inami microscopes offers an **optional** USB digital camera, with a unique software where you can store and create your own patient data base to capture high quality digital photos and videos.



Assistant Binocular
Microscope

2.

The **optional** high quality assistant binocular coaxial microscope offers an apochromatic optics which allows the observer to magnify and visualize the red flex with easy and control.



Beam Splitter
Devices

3.

All operation microscopes features an **optional** beam splitter that can be easily assembled and it allows you to attached many other Inami optional accessories.



Video Camera Adaptor
C-Mount F=70mm

4.

This **optional** video digital camera adaptor is designed for a easy and quick assembly access while adding the USB digital camera.



Illumination Filters

Microscopy

The portable L-0940-SD illumination microscope filters (Cobalt, Blue, Red free, heat absorbing, 1/2ND) are used for photo microscopy observations and for either over the illuminator or in a filter slot that lies in the light path.



Voltage Selectors

Illumination System

Inami microscopes offers a convenient illuminator control lamp house where you can access and change settings fairly quickly. Also features a two illumination system where you can independently switch them just in case of a lamp failure while in the middle of a delicate operation.



Clamp System Wall & Table Mounting

Inami's portable microscopes are ergonomically design with a **included** clamp mechanism for both tabletop or wall mount assembly, which allows the surgeons to balance the microscope head horizontally, vertically, and laterally.



Optional Four Leg Base Mechanism

All Inami microscopes are built with a solid heavy weight four leg base and a two locking fixed mechanism to ensure a firm and steady position.



Color Options



All Inami portable microscopes purchases include a carry-on case yet color options are not available upon request. Colors are sent to clients at random.

Included Carry-On Case Portable

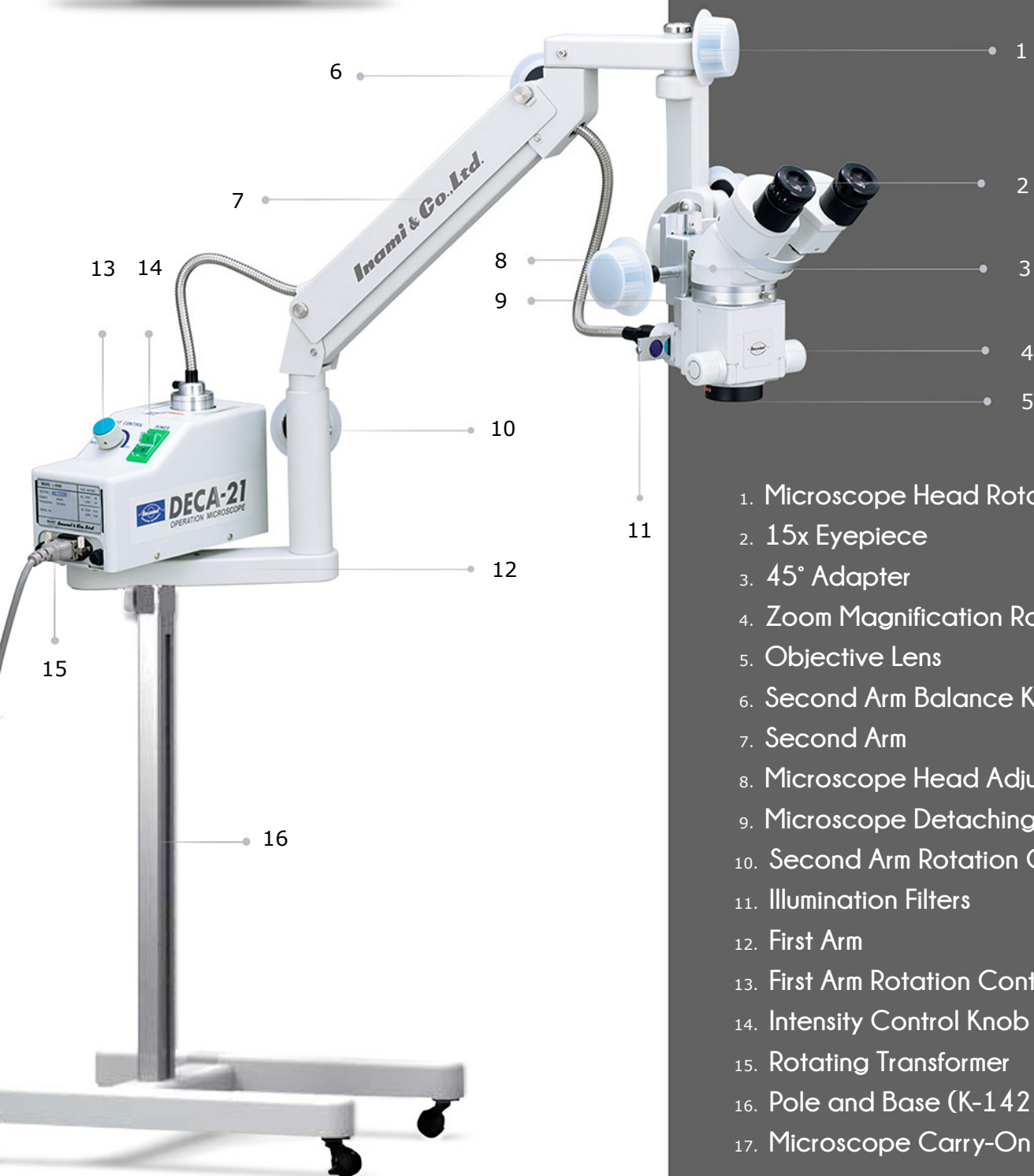


The portable operating microscopes, can be securely contained in a high quality lockable carrying case with TSA lock system and vibration resistant casters that ensure durability and smooth transportation during a safe and comfortable travel.



Inami

Operation Microscopes
L-0940-SD



1. Microscope Head Rotation Knob
2. 15x Eyepiece
3. 45° Adapter
4. Zoom Magnification Rotation Knob
5. Objective Lens
6. Second Arm Balance Knob
7. Second Arm
8. Microscope Head Adjusting Knob
9. Microscope Detaching Screw
10. Second Arm Rotation Control Knob
11. Illumination Filters
12. First Arm
13. First Arm Rotation Control Knob
14. Intensity Control Knob
15. Rotating Transformer
16. Pole and Base (K-1422) *Optional*
17. Microscope Carry-On Case

Product Specifications



MADE  JAPAN

Operation Microscopes L-0940-SD

Microscope

Microscope Head Type	Galilean Type Microscope
Magnification Changer	Continuous zoom by drum rotation
Eye Piece	15x with helicoidal diopter adjustments
Zoom Magnification	6x ~ 18x
Field of View	35 ~ 10mm
Pupillary Adjustment	50 ~ 75mm
Objective Lens	F=250mm
Adjustment of Focus	30mm

Illumination

Filters	Cobalt, Red-Free, Heat Absorption, 1/2 ND
Light Source	Halogen: Lamp Bulb 12V/50W (L016H1)
Max Intensity	80,000 Lux

Focal Adjustments

Microscope Head Type	Galilean Type Microscope
Magnification Changer	Continuous zoom by drum rotation
Eye Piece	15x with helicoidal diopter adjustments

Head Inclination

Head Inclination Angle	0 ~ 90°
Head Swing Angle	Left to Right -30° ±30°

Notes

Weight	15kgs
Dimensions	1090mm x 470mm
Input Voltage	AC100 ~ 240V
Power Consumption	50VA