

**VIEWLIGHT**<sup>®</sup>  
POWERED BY INNOVATION

***Inami***

**ZOOM**

*Portable Microscopes*

**L-0955-XD**



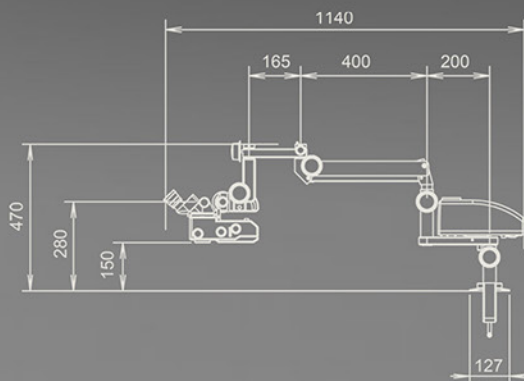
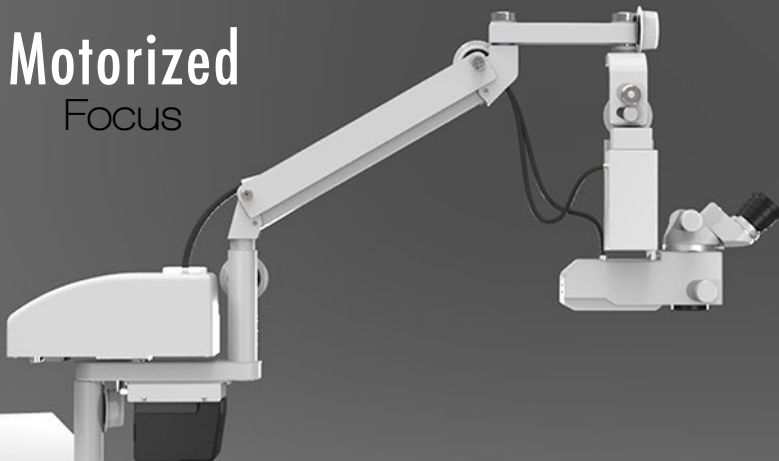
MADE **IN** JAPAN



# Portable Microscopes

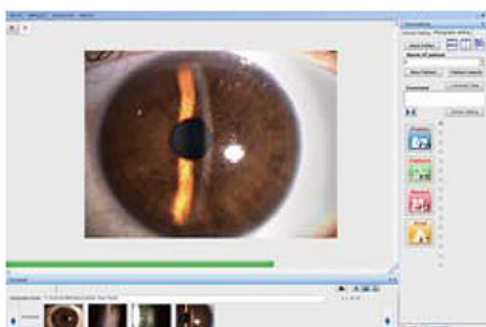
## L-0955 XD

Motorized  
Focus



MANUAL  
**ZOOM**  
5x-15x

INAMI's L-0955-XD is a zoom LED portable operation microscope, offering a light & compact design and includes a carry-on case to handle with ease. The L-0955-XD has a continuous light intensity controller, various filters and a power saving lithium battery.



 **Pixel Filer** Ver.3.0  
Filing Software

Inami ophthalmic microscopes offers an optional USB digital camera, with a unique PIXEL Filer software where you can store and create your own patient database to capture high quality digital photos and videos.



# Portable Microscopes FEATURES

Battery Operated  
Replacements



Portable  
Carry-on Cases

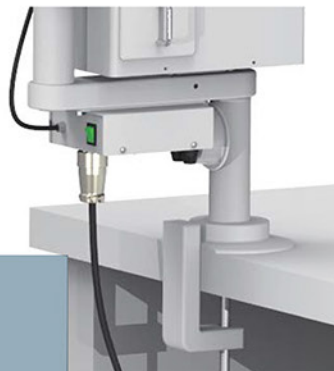


Premium Colors  
TSA Lock System

Carry-on cases are included with any INAMI's portable microscope purchase, yet all color requests are not available and will be shipped with either black, dark grey, silver or bourdeaux surfaces.



INAMI's operating microscopes, can be securely contained in a high quality lockable carrying case with TSA lock system and vibration resistant casters that ensure durability and smooth transportation during a safe and comfortable travel.



Working Table  
Clamp Mechanism

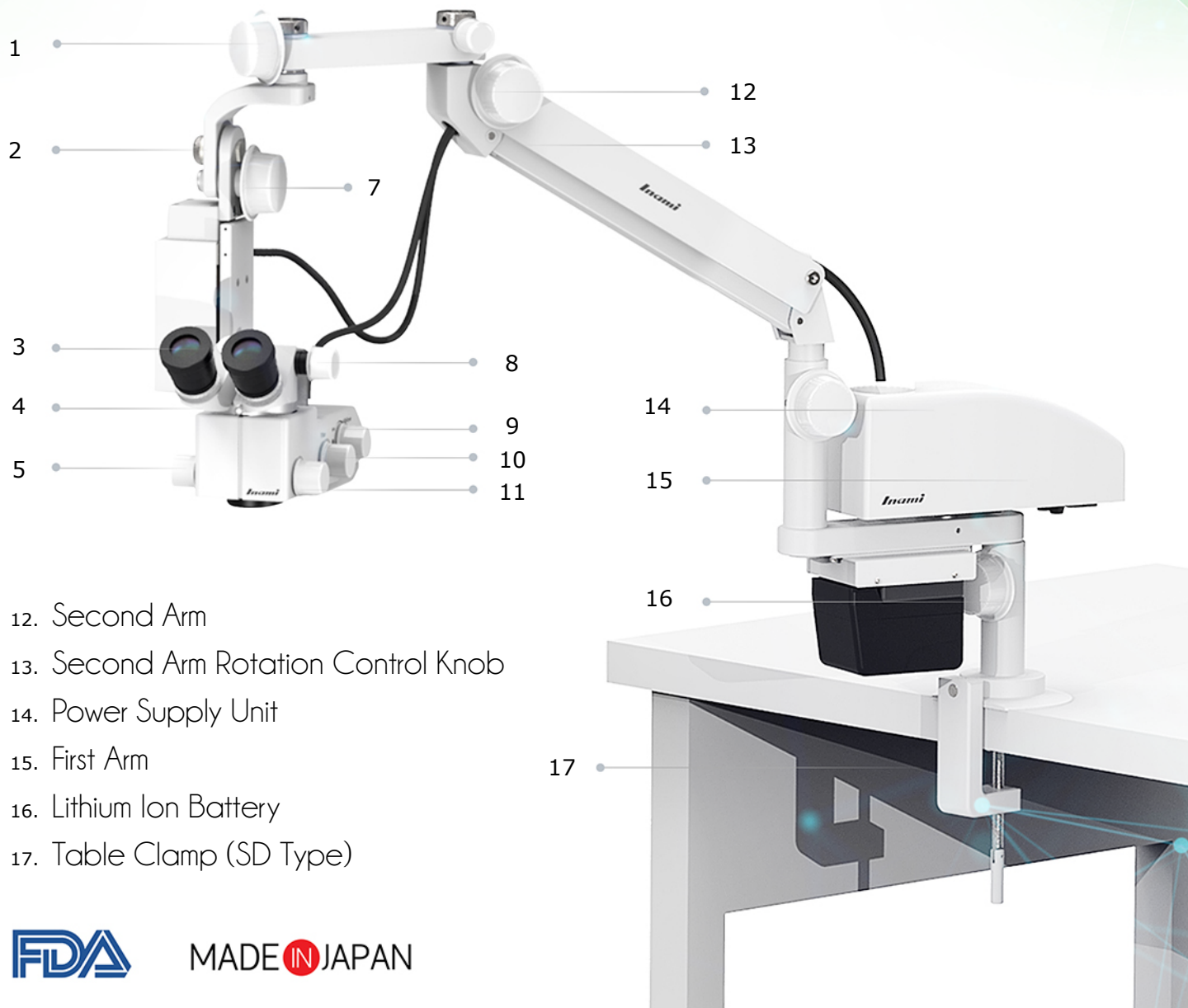
Inami's portable microscopes are ergonomically design with a included clamp mechanism for both tabletop or wall mount assembly, which allows the surgeons to balance the microscope head horizontally, vertically, and laterally.



## Portable Microscopes

# L-0955-XD

1. Microscope Head Rotation Knob
2. Microscope Head Angle Adjuster
3. 12.5 Eyepiece Lens
4. Microscope Removal Screw
5. Zoom Microscope Head
6. Microscope Head Adjustment Knob
7. PD Adjustment Knob
8. Illumination Control
9. Filter Switch
10. Zoom Magnification Control Knob
11. Second Arm Balance Knob



MADE IN JAPAN



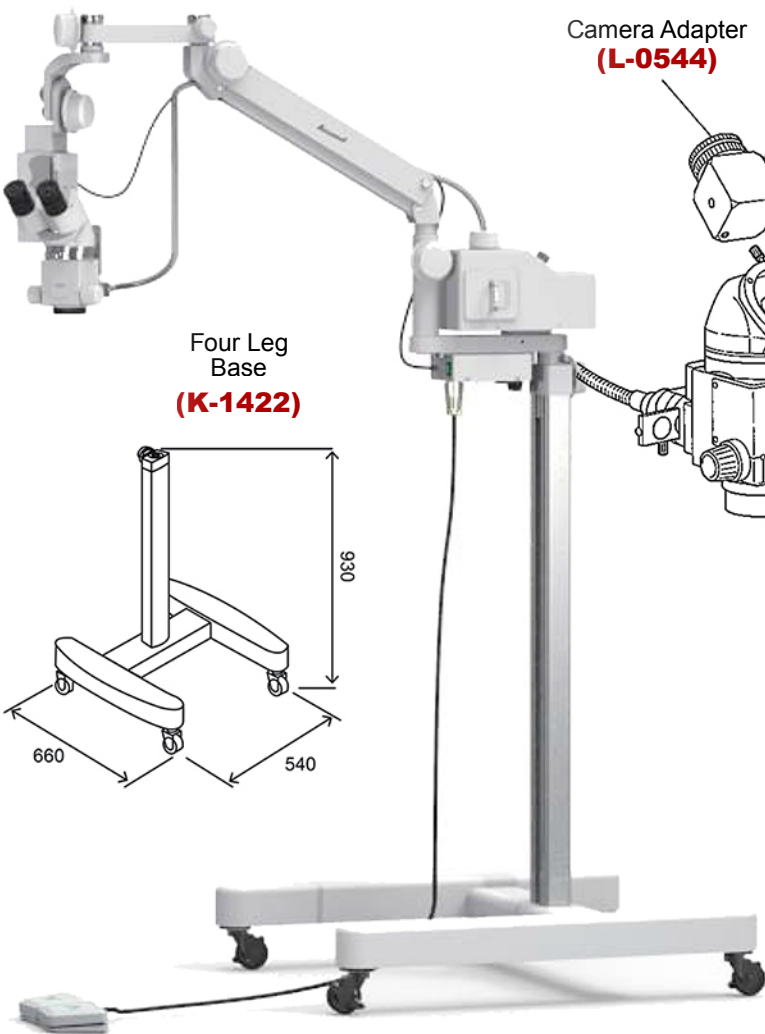
# OPTIONAL ACCESSORIES

2058

## Sturdy & Flexible

Optional Stands

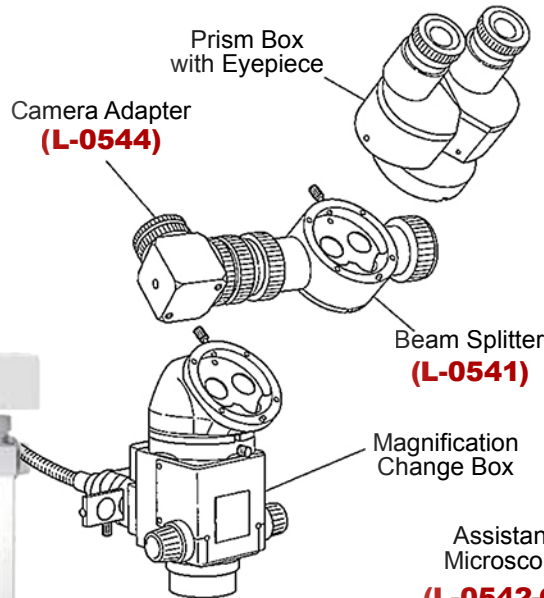
All Inami microscopes are built with a solid heavy weight four leg base and a two locking fixed mechanism to ensure a firm and steady position.



Four Leg Base  
**(K-1422)**

## Assembly

Precise Observations



Digital Camera  
**(13S2C)**



Beam Splitter  
**(L-0541)**



Assistant Microscope  
**(L-0542-CB)**

## Customize

Portable Microscope

All INAMI microscopes features an optional beam splitter that can be easily assembled, video camera an assistant microscope that are easy to adjust and remove. It allows you to attached many other Inami optional accessories.

MADE **IN** JAPAN



Portable Microscope

Product Specifications

**L-0955-XD**

### Microscope

Microscope Head Type	Galilean Type Microscope
Magnification Changer	Continuous zoom by drum rotation
Eye Piece	12.5x with helicoidal dioptre adjustments
Magnification Ratio	4x, 6x, 10x, 16x, 25x
Field of View	42~ 14mm
Pupillary Adjustment	50 ~ 75mm
Objective Lens	F=175mm
Diopter Adjustment	-6D - ±6D

### Illumination

Filters	Retina Protection, Red-Free, Bulb color
Light Source	LED: (White) 14VDC 1A Halogen: Lamp Bulb 12V 150W (L016H1)
Max Intensity	80,000 Lux

### Focal Adjustments

Type	Manual Fine Focus (Option)
Adjustable Distance	30mm
Focusing Speed	1.3mm / sec

### Head Inclination

Head Inclination Angle	0 ~ 90°
Head Swing Angle	Left to Right -30° ±30° Left to Right -40° ±40°

### Notes

Weight	17kgs
Dimensions	1090mm x 470mm
Input Voltage	AC100 ~ 240V
Power Consumption	50VA