

VIEWLIGHT[®]
POWERED BY INNOVATION

Inami

ZOOM

Portable Microscopes

L-0955-SD



MADE **IN** JAPAN



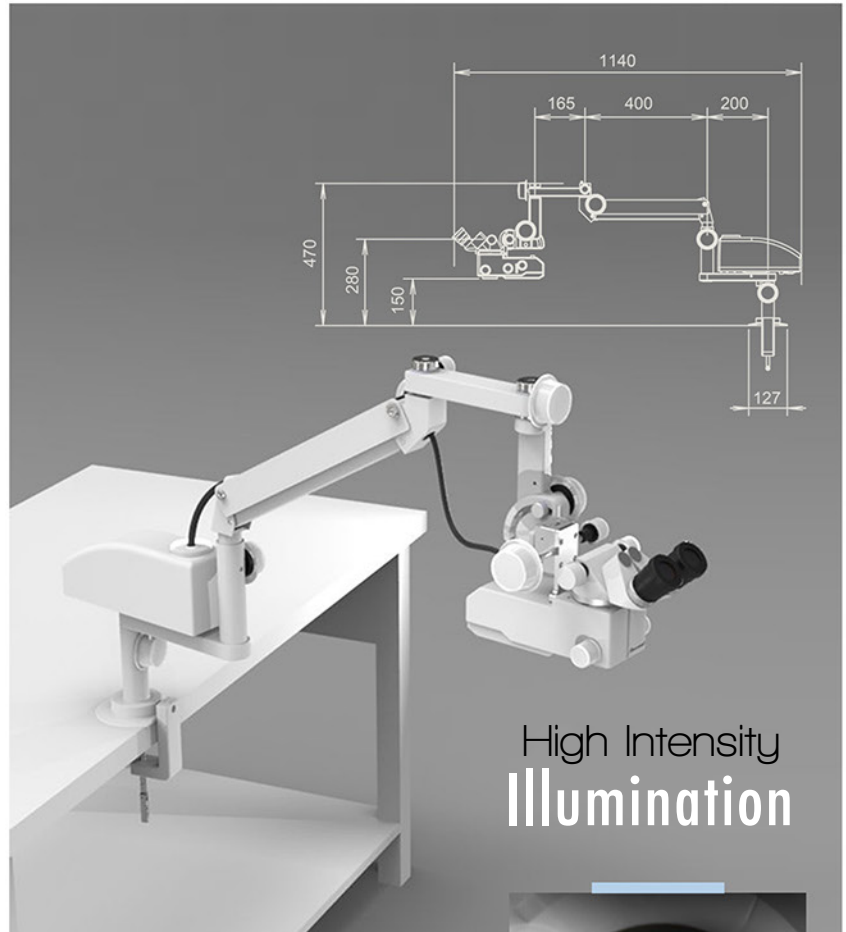
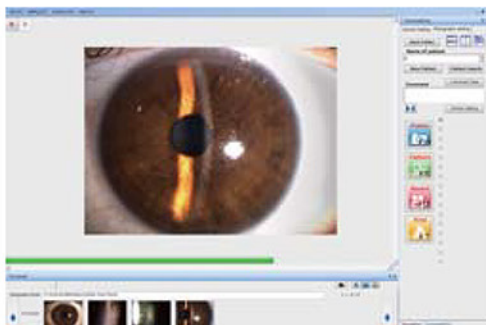
Portable Microscopes

L-0955 SD

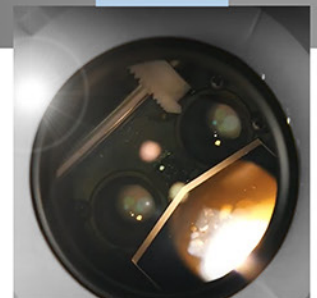



MANUAL
ZOOM
5x-15x

- Galilean-Type Binocular
- Electrical power saving
- Intensity control and improved operability
- Continuous light intensity controller
- Adjustable Binocular
- Operation by Battery
- Portable Carry-on Hard Case
- Assembly table clamp or wall mount system



High Intensity
Illumination



 **Pixel Filer** Ver.3.0
Filing Software

Inami ophthalmic microscopes offers an optional USB digital camera, with a unique PIXEL Filer software where you can store and create your own patient database to capture high quality digital photos and videos.



Portable Microscopes FEATURES

Battery Operated Replacements



Portable Carry-on Cases

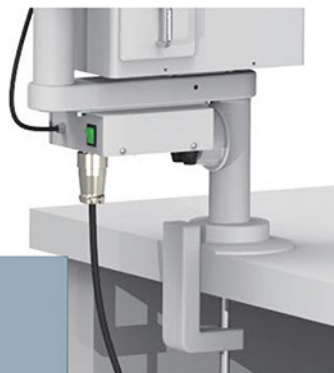


Premium Colors TSA Lock System

Carry-on cases are included with any INAMI's portable microscope purchase, yet all color requests are not available and will be shipped with either black, dark grey, silver or bourdeaux surfaces.



INAMI's operating microscopes, can be securely contained in a high quality lockable carrying case with TSA lock system and vibration resistant casters that ensure durability and smooth transportation during a safe and comfortable travel.



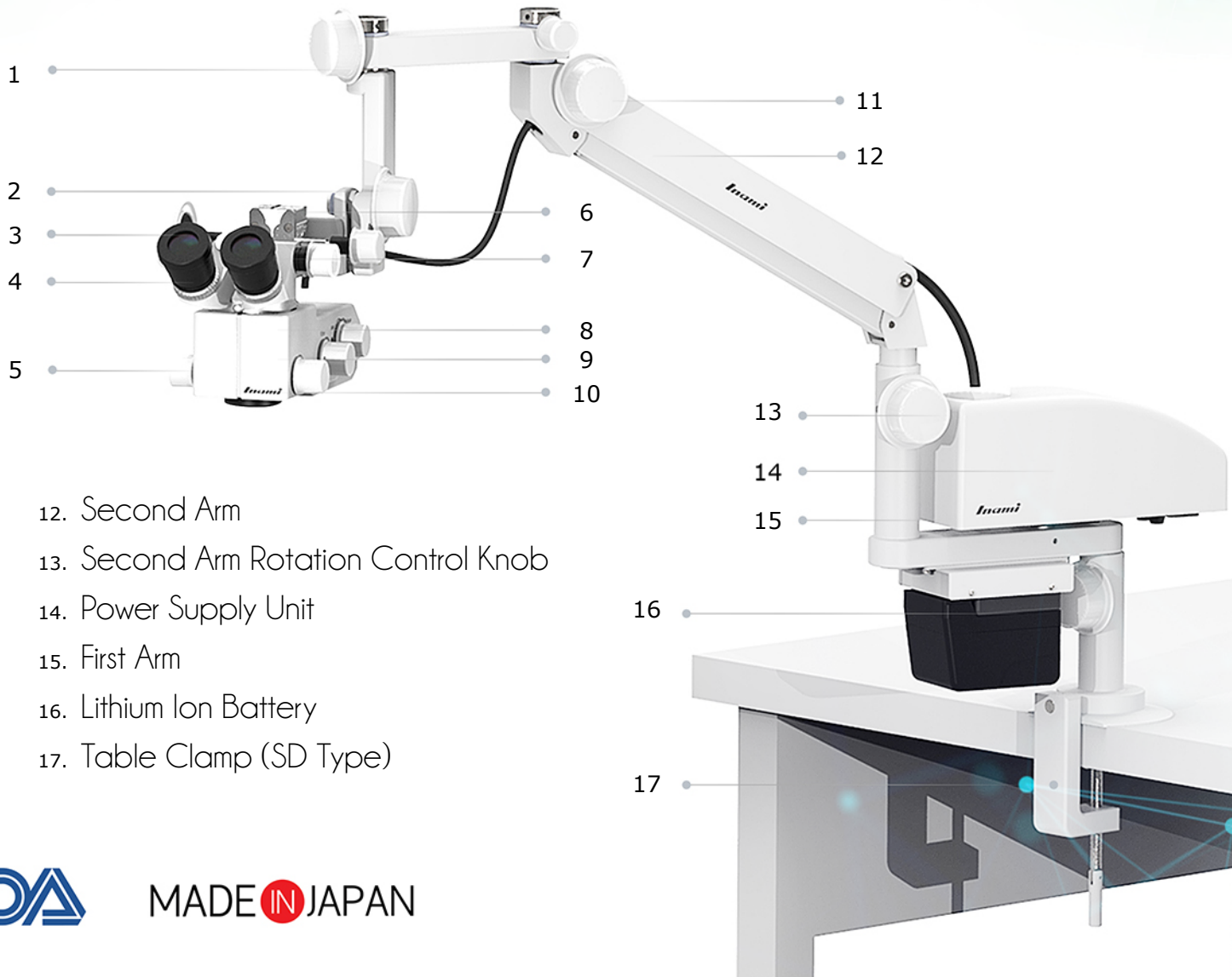
Working Table Clamp Mechanism

Inami's portable microscopes are ergonomically design with a included clamp mechanism for both tabletop or wall mount assembly, which allows the surgeons to balance the microscope head horizontally, vertically, and laterally.



Portable Microscopes L-0955-SD

1. Microscope Head Rotation Knob
2. Microscope Head Angle Adjuster
3. 12.5 Eyepiece Lens
4. Microscope Removal Screw
5. Zoom Microscope Head
6. Microscope Head Adjustment Knob
7. PD Adjustment Knob
8. Illumination Control
9. Filter Switch
10. Zoom Magnification Control Knob
11. Second Arm Balance Knob
12. Second Arm
13. Second Arm Rotation Control Knob
14. Power Supply Unit
15. First Arm
16. Lithium Ion Battery
17. Table Clamp (SD Type)





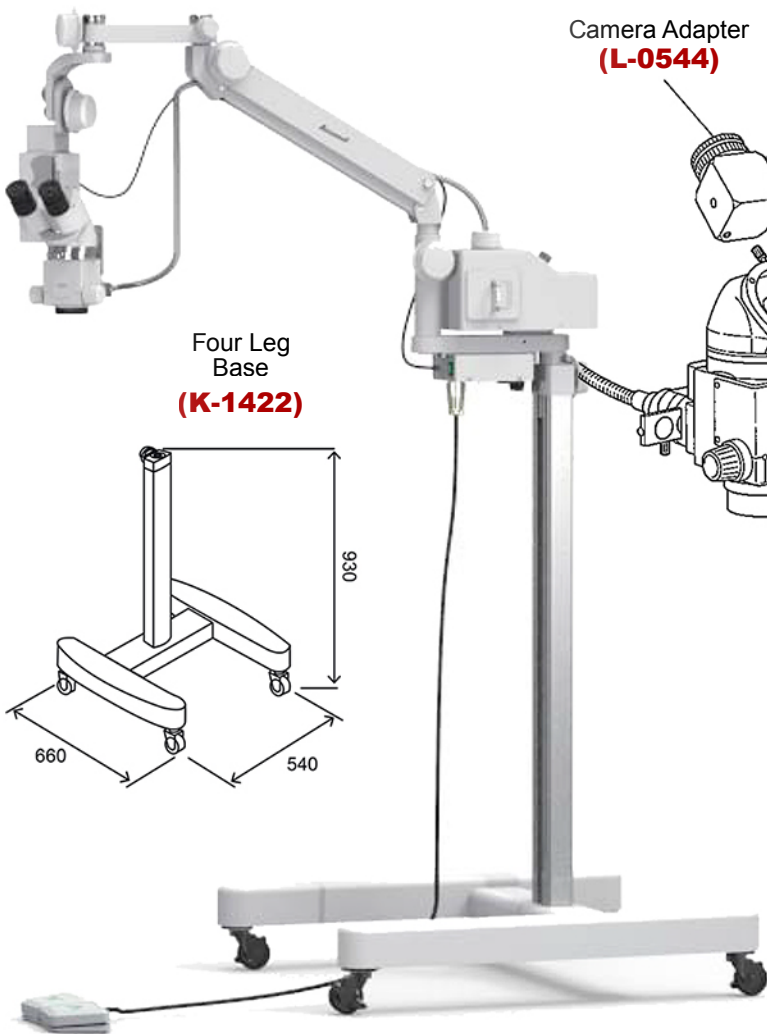
OPTIONAL ACCESSORIES

2058

Sturdy & Flexible

Optional Stands

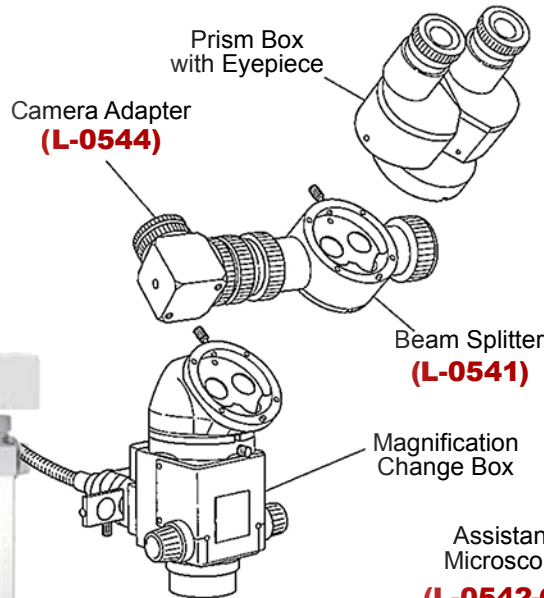
All Inami microscopes are built with a solid heavy weight four leg base and a two locking fixed mechanism to ensure a firm and steady position.



Four Leg Base
(K-1422)

Assembly

Precise Observations



Digital Camera
(13S2C)



Beam Splitter
(L-0541)



Assistant Microscope
(L-0542-CB)

Customize

Portable Microscope

All INAMI microscopes features an optional beam splitter that can be easily assembled, video camera an assistant microscope that are easy to adjust and remove. It allows you to attached many other Inami optional accessories.

ZOOM



MADE **IN** JAPAN

Portable Microscope

Product Specifications L-0955-SD

Microscope

Microscope Head Type	Galilean Type Microscope
Magnification Changer	Continuous zoom by drum rotation
Eye Piece	12.5x with helicoidal diopter adjustments
Magnification Ratio	5x - 15x
Field of View	42~ 14mm
Pupillary Adjustment	50 ~ 75mm
Objective Lens	F=175mm
Adjustment of Focus	Motorised Focus (foot switch)

Illumination

Filters	Retina Protection, Red-Free, Bulb color
Light Source	LED: (White) 14VDC 1A Halogen: Lamp Bulb 12V 150W (L016H1)
Max Intensity	80,000 Lux

Focal Adjustments

Microscope Head Type	Galilean Type Microscope
Magnification Changer	Continuous zoom by drum rotation
Eye Piece	15x with helicoidal diopter adjustments

Head Inclination

Head Inclination Angle	0 ~ 90°
Head Swing Angle	Left to Right -30° ±30° Left to Right -40° ±40°

Notes

Weight	15kgs
Dimensions	1090mm x 470mm
Input Voltage	AC100 ~ 240V
Power Consumption	50VA