



REFRACTION UNITS



Instruments **Not** Included

Final Liquidation
Examination Unit
Allegro

- Unique styling and functionality
- Maximum Recline Control to 40 degrees
- Comfortable and Convenient Armrests
- 360 Degree Dual Rotation
Controlled by footswitch
- Stationary pillow headrest standard
- Lower Base Height: 21" lowered | 32" raised
- Recline: 59.5"
- Weight: 310 lbs



Ophthalmic Stand
7800

- Perfect Match for all Viewlight Chairs
- Efficient operation and accessibility
- Counter Slit Lamp Arm
- Overhead Halogen Lamp
- 115 volts, 60 hz, 3 amperes.
- Upper (Refractor) Arm
- Membrane Switches
- Dimensions: 21" x 71"
- Weight: 292 lbs

Examination Unit

Opera

- Luxurious Oversized Headrest
- Comfortable & Convenient Armrest
- Maximum Recline Control - 40
- Manual pneumatic assisted tilt recline examination chair
- Efficient operation and accessibility
- Counter Slit Lamp Arm
- Overhead Halogen Lamp
- Upper (Refractor) Arm
- Membrane Switches



Examination Unit Harmony

- Multi-function store room
- Different dressings can be accommodated in different optometry rooms
- Provides extra space for store room
- Rotation type table for optometry with sample area to work
- Operation panel and halogen lamp
- Dimensions: 2000 mm x 1200 mm x 1670 mm
- Weight: 160 KG

Examination Unit Mozart

- Motorized Recline and Incline Chair
 - Adjustable & Positioning Worktable
 - Mozart holds up to 265 lbs and seat raises 31.55" x 19.75
- Features a contemporary motorized up & down elevation motor
- Adjustable headrest
 - Manual recline system and a comfortable upholstered armrest
 - Special surface spray coating technology





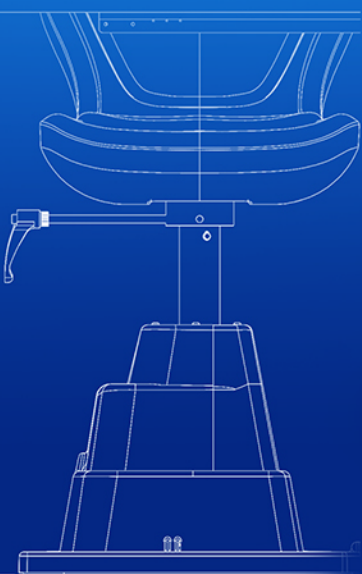
Examination Unit Classic

- Firm, light and handy structure
- Comfortable & Convenient Armrest
- Motorized examination chair
- Refined and modern appearance
- Special surface spray coating technology
- Rotation Angle $\pm 30^\circ$
- Table Size: 840 mm x 405 mm



NEW Examination Unit PEAK

- Table locking system in all positions
- Electric elevation chair
- Led lamp with projector support
- Chart projector support arm
- Digital control panel
- N. 2 objects storage
- U-Shape table top for 2 instruments
- Hand instruments support



Examination Unit Pure & Pure DLX

- Digital control panel and hand instruments support
- Luxurious Oversized Headrest
- Comfortable & Convenient Armrest
- Manual pneumatic assisted tilt recline examination chair
- Workable table voltage: 200W



VIEWLIGHT
POWERED BY INNOVATION



Ophthalmic
CHAIRS &
STOOLS



Ophthalmic Chair

Jazz

- Unique styling and functionality
- Comfortable and Convenient Armrests
- Luxurious Oversized Headrest
- Maximum Recline Control to 180 degrees
- Side controllers switches for easy access



Ophthalmic Chair

Opera

- Manual pneumatic assisted tilt recline chair
- Unique styling and functionality
- Comfortable and convenient armrests
- Maximum recline control to 40 degrees
- Controlled by footswitch
- Stationary pillow headrest standard



Ophthalmic Chair

Allegro

- Maximum Recline Control to 40 degrees
- Comfortable and Convenient Armrests
- Luxurious Oversized Headrest
- Controlled by footswitch
- Stationary pillow headrest standard



MADE IN
USA

Ophthalmic Chair

VOC-100

- Maximum Recline Control to 90 -135 degrees
- Comfortable and Convenient Armrests
- Luxurious oversized headrest
- Unique styling and functionality
- Controlled by footswitch
- Stationary pillow headrest standard



Ophthalmic Stools

4246

- High quality density polyfoam seats
- vertical adjusted backrest
- Easy-to-maintain vinyl colors (Qty.14)
- Chrome plated steel
Black epoxy enamel base and legs
- Hooded dual-wheel casters



 HAAG-STREIT
SCHWEIZ

Ophthalmic Stools

5346

- Exceptional Stability from Five-legged Design
- Pneumatic Lift
- Comfort and high-density polyfoam
- Horizontally and vertically backrest adjuster
- Height adjuster via a control ring



 HAAG-STREIT
SCHWEIZ

Ophthalmic Stools

ST-300

- Easily adjustable height mechanism
- Base diameter 24"
- Footrest: 18" diameter
- Chrome-polished base finish
- Rugged hard rubber casters
- Easy-to-maintain vinyl medical grade
- Footrest ring available
- Colors available upon request



Ophthalmic Stools

ST-100

- Exceptional stability
- Easily adjustable height mechanism
- Easy-to-maintain vinyl medical grade
- Refined curvature backrest structure
- Rugged hard rubber casters

