



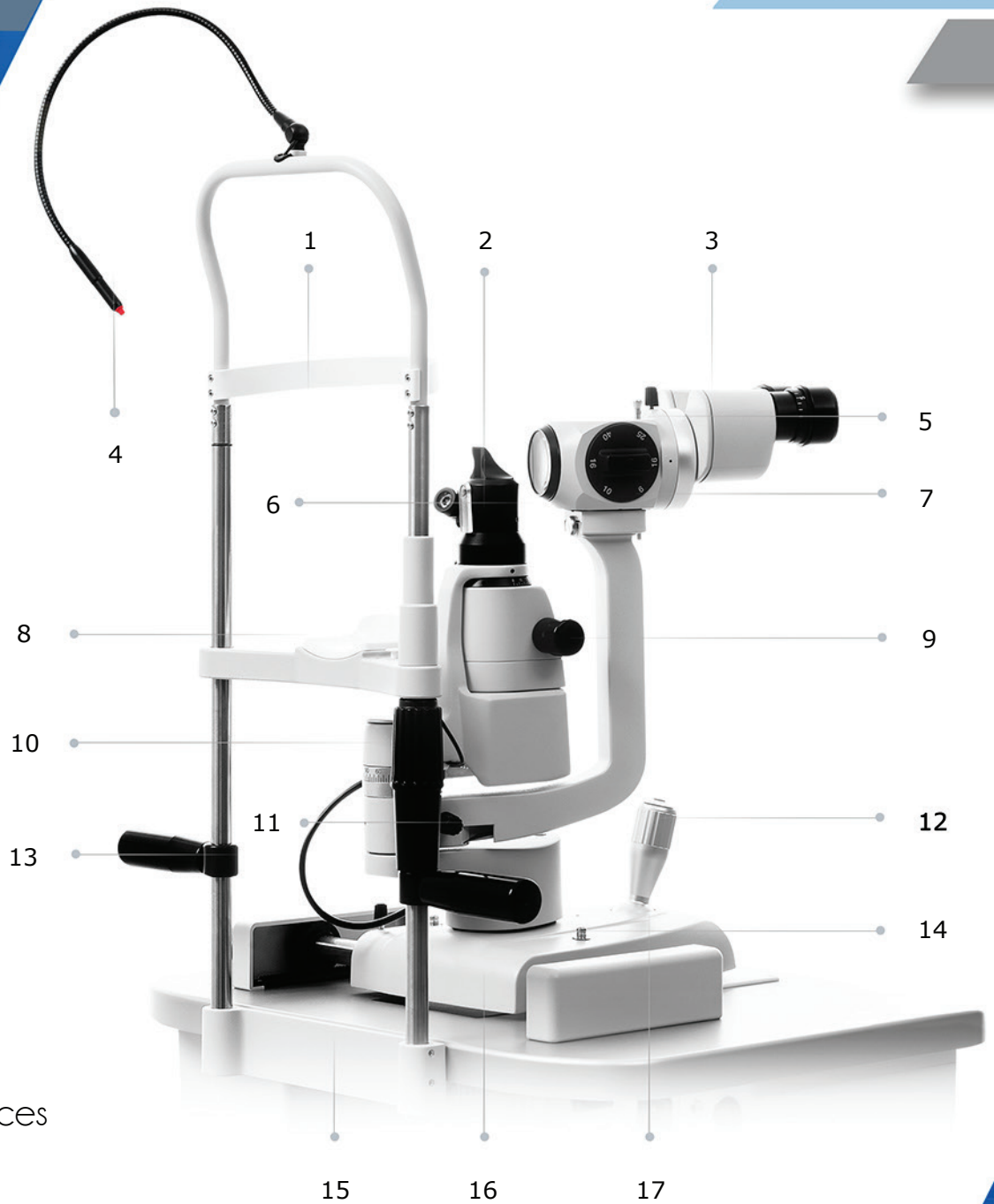
LED *Slit Lamps*
SL-9800
2x, 3x, 5x



Optional Tabletops
Available Colors



SL-9800



- 1. Head Rest
- 2. Slit Lamp Mirror
- 3. Microscope
- 4. Fixation Point
- 5. Extractable Eyepieces
- 6. Lighting Diffuser
- 7. Magnification Tuner
- 8. Chin Rest
- 9. Slit Width Adjusting Knobs
- 10. Eye Positioning Reference Index
- 11. Microscope Locking Knob

- 12 Joystick (lateral, longitudinal and vertical movements)
- 13. Patient's Handle.
- 14. Device Base Locking Knob.
- 15. LIFT 01- Electrical Table (Optional)
- 16. Orthogonally Moving Base
- 17. Wheel Shields

Features:

- Ergonomic design, high quality optics and precision mechanical parts.
- Selected optical parts, and a new beam splitter equipped with the New Digital Vision HR camera (*Optional*).
- The life of the LED is longer than 50000 working hours and its color temperature is constant in each situation.
- 2MP high performances CCD sensor, with an excellent color rendering.
- Microscopic examination of the ocular fundus and of the posterior vitreous body.
- SL 9800, when operating at maximum intensity, exceeds the threshold set by the safety guidelines after 160 seconds.

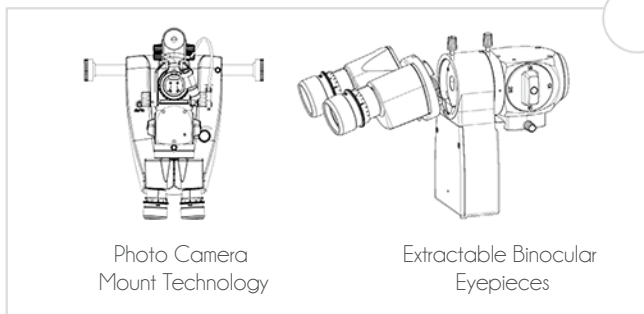


Photo Camera Mount Technology

Extractable Binocular Eyepieces

LED / Slit Lamps

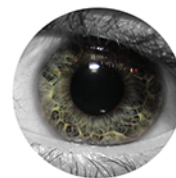


SL-9800

Product Introduction

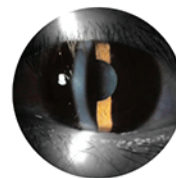


Converging microscope provides comfort to the user when using the slit lamp. All the microscopes have a yellow filter to improve the image quality.



Camera performances are maximized by using the USB 3.0 technology, and an excellent software optimized for ophthalmic purposes.

This high performance camera can capture and record the smallest details while conducting a slit lamp examination. (*Optional*)



Viewlights modern software platforms are optimized for ophthalmic purposes. Providing the optimum quality and price solutions.



SL 9800 accessories second observer and adaptors are designed for camera and eyepieces.



Viewlights vision lens measurement software is designed for precise reading and auto detection progressive lens.



SLIT LAMPS



5^x

3^x

2^x

ZOOM

CSO[®] Magnification Tuners

CSO Slit lamps all provide slit lamps with stereoscopic microscope from 2x, 3x, 5x, and continuous enlargements with progressive zoom. Also added with a complete screw-out eyepieces. giving a clear, brilliant and well contrasted images, thanks to the multilayer antireflection treatment.

Features	2X	3X	5X	ZOOM
Binocular Head	Converging Stereoscopic	Galilean magnification changer with converging eyepieces		
Magnification	10x, 16x	10x, 16x, 25x	6x, 10x, 16x, 25x, 40x	6x - 33x Continuous
Light Source	LED	LED	LED	LED
Built-in Yellow Filter	No	Yes	Yes	Yes
Digital Imaging Ready	No	Yes	Yes	Yes
Optional Eyepieces	16x, 26x	No	No	No
Weight (Lbs/Kg)	49 / 22	53 / 24	45 / 20	50 / 23

Product Specifications



Stereoscopic Microscope

Microscope	2x	3x	5x	Zoom
Type	Convergent	Calleian convergent with magnification change syste		Calleian convergent with variable magnification
Eyepiece Convergence Angle	13°			6°
Eyepieces	10x	12,5x	12,5x	12,5x
Eyepiece Adjustment	±8 D.			
Magnifications	10x 16x	10x 16x 25x	6x 10x 16x 25x 40x	7x 30x
Field of View		8,5x 14,8x 25,6x	5,6x 8,5x 14,8x 25,6x 39,3x	
Interpupillary Distance	18,5mm 12mm	26mm to 8,5mm	41mm to 5,7mm	30mm to 7,4mm
Barrier Filter	51,5mm to 87mm	50mm to 80mm		
Barrier Filter	Yellow			

Technical Data

Slit Projection	1.16X
Slit Width (setting continuous)	0 - 14 mm
Slit length (setting continuous)	1.8 - 13 mm
Slit Length (max)	14 mm
Apertures	14, 9, 5.5, 0.3 mm
Filters	Blue, Red, Green (Red free)
Light Diffuser	Light Diffuser
Background Light	Only with Digital Vision HR
Slit Rotation	± 90° continuous (Tabo system)
Slit Angle	0° horizontal
Rotation interval of the slit projection	±90°, angular scale, reference on 0°
Working distance	68 mm
Joystick Push Button	Only with Digital Vision HR
Left / Right Detection	Only with Digital Vision HR
Voltage	15V DC 1A
Light Source	White LED
Brightness	248000 LUX conti nuous adjustment
Dimensions (HxWxD)	440 x 313 x 335mm
Weight	7 kg

System Requirements (Version Digital HR)

PC:	4 GB RAM
Video Card:	1 GB RAM
Resolution:	1024 x 768 pixels
USB	3.0 Type A
Operati ng System	Windows XP, Windows 7 and Windows 10 (32/64 bit).

