

Inami

FLOOR OPERATION MICROSCOPE

MANUAL



VIEWLIGHT
POWERED BY INNOVATION

Before use this instrument, be sure to read this manual

L-0995-AZ

EN

Table of contents

1. Product Overview	2
2. Safety Instructions	3
3. Parts of L-0995AZ	4
4. Assembling	5
5. Operation	9
6. Maintenance	11
7. Accessories	13
8. Options	13
9. Specifications	13

Notice

- 1) In order to keep the instrument in the best condition, please read this manual and perform the inspections of the instrument.
- 2) Please store the instrument avoiding humidity.
- 3) Before you move this instrument, please hold the arm and tighten the handle to lock the first arm. The instrument with locked arm should be moved slowly.
- 4) The content of this manual may be changed without prior notice according to the update of the product specification.
- 5) This manual is created completely. Please contact your dealer in the unlikely event that you find any errors in writing or missing stated points.
- 6) The manual will be replaced with new one if it has manufacturing defects. Please contact your dealer.

Indication

Name plate

The following matters are displayed on a nameplate.

- Product name
- Model No.
- Manufacture & Distributer
- Serial No.

The following emblems are displayed.



Caution



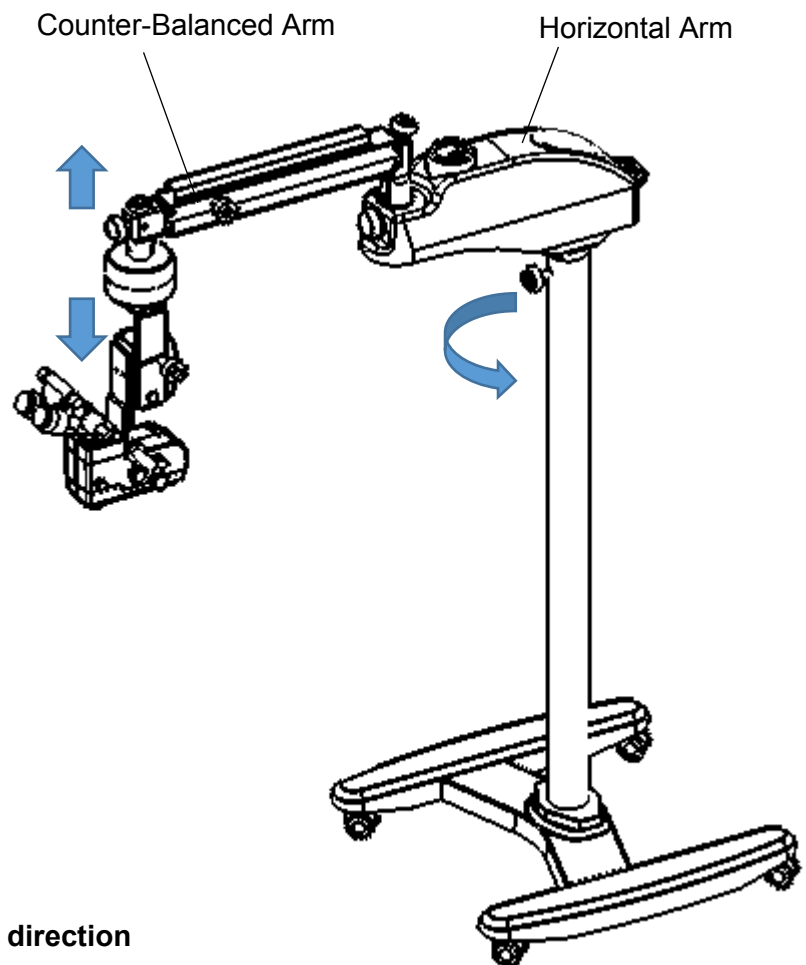
CF. instruction manual



The name of the maker the location

Operation Microscope L-0995AZ

- Operation Microscope provides the most clear focus and sharp images and it make complicated surgical operations almost effortless.
- With the combination of the options, it provides you the highest efficiency for the operation all you need.



Features

■ Base

Usable in 2 different ways of direction according to the assembling direction of the Base.

■ Counter-Balanced Arm

High speed and stable positioning of the optical head

L-0995AZ was designed for the highest stability with stable H-type base with casters and well balanced counter arms mounted on the pole with 1350mm height.

This stable structure makes L-0995AZ to achieve the highest accuracy for the positioning of the Microscope arm at any position with minimal effort.




The horizontal arm has the length of 380mm and it rotate 320° and the counter balanced arm has the length of 565mm and it rotate 210°.

○ Safety Instructions



Please read this operation manual carefully before using the equipment.

This manual should be kept in a place where it is available for the operator whenever they need. You must follow the safety instructions below that describes the important precautions.

The symbols and their meanings are as follows.

 Danger	indicates that death or serious physical injuries will occur if necessary safety precautions are not taken.
 Warning	indicates that death or serious physical injuries can occur if necessary safety precautions are not taken.
 Caution	indicates that a slight physical injury or material damage can occur if necessary safety precautions are not taken. However, more serious issues can occur depends on the situation.

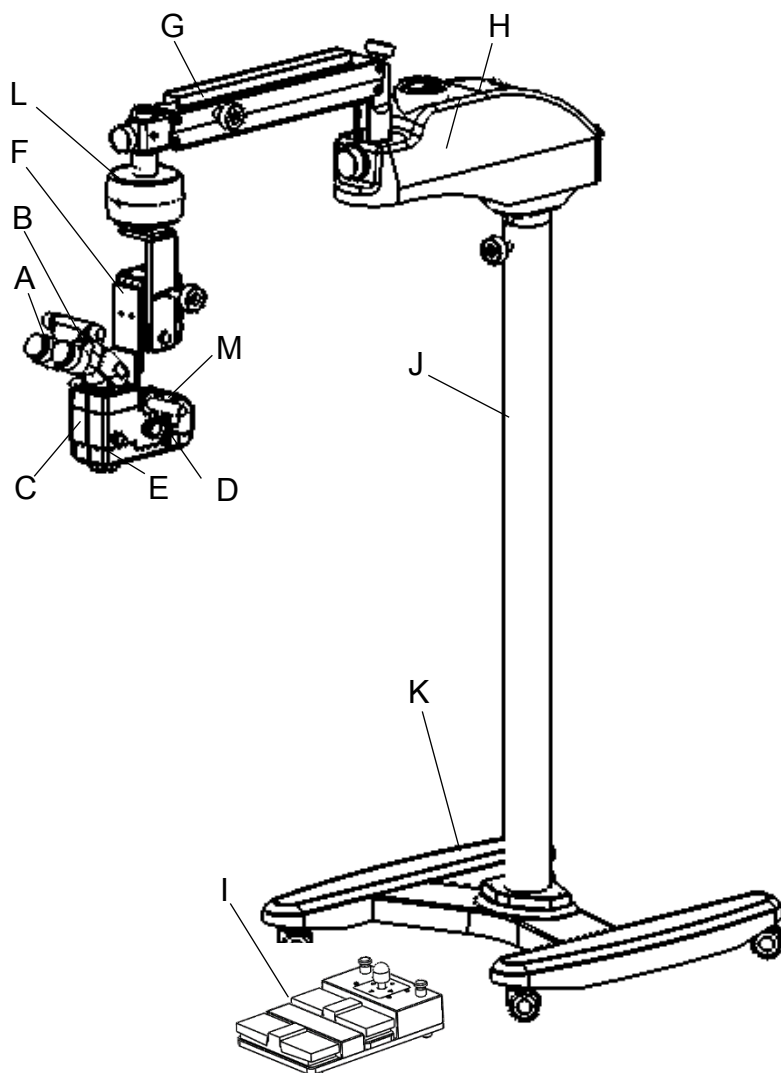
Material damage means expanded damages related to houses, household goods, etc.

 Warning
<ul style="list-style-type: none"> • During the replacement of parts, make sure to set main power switch OFF (O). If you operate while energizing, it will cause electric shock. • Do not tilt the body of the main unit more than 10 degrees. Physical injury or material damage of houses and other instruments can occur if the unit falls over.
 Caution
<ul style="list-style-type: none"> • Do not use other than AC 100V-240V. The equipment cannot be used except for the specified power supply voltage. Using wrong power supply voltage may cause ignition. • Make sure to install the ground wire. Electric shock may be caused when mechanical failure or electric leakage occurs. • When unplugging /plugging in the power supply plug, hands must be dry. Electric shock or ignition caused by short-circuit may occur. • Do not take following actions : damaging, bending with force, pulling, twisting and bundling the power supply cord, and putting heavy material on the cord and pressing it. The power cord may be damaged resulting in fire or electric shock. • Except for medical treatment hours, unplug the plug from the outlet. It may cause electric leakage or fire. • Do not use fuses other than specified. There is risk of fire caused by heating. • Handle lens and mirrors carefully. When lenses and mirrors are scratched, it will not be possible to observe properly. • Do not use lenses other than specified. When wrong lens are used, it will not be possible to observe with the proper focus and magnification. • Never disassemble the unit body Disassembling the unit body will cause mechanical breakdown or fire. • The EMISSIONS characteristics of this equipment are suitable for use in industrial areas and hospitals(CISPR 11 class A). <ul style="list-style-type: none"> • This device is based on IEC60601-1-2:2014. • Confirm that there is not the disconnection of the electric wire regularly. • When illumination is not normal, you stop use, and, under influence caused by the electromagnetism, please keep it away from other electric apparatuses. • This device is class I ME EQUIPMENT.

1. Parts of L-0995AZ

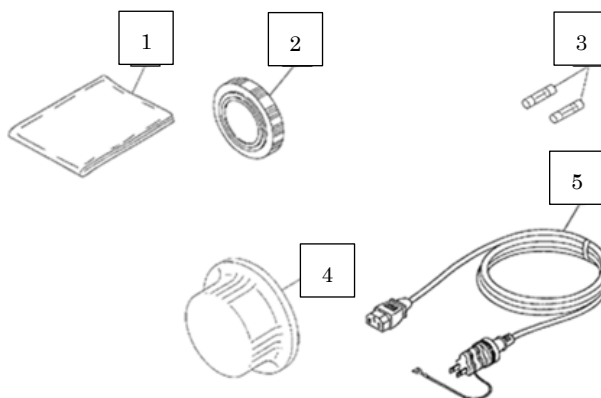
1.1 Standard Parts

A.	Eyepiece 12.5×	2
B.	Tilt type Microscope head	1
C.	Magnification Changer	1
D.	Coaxial Illumination (w/filter)	1
E.	Objective Lens (F=200mm) Apochromatic	1
F.	Motorized Focusing Unit	1
G.	Second Arm	1
H.	First Arm	1
I.	Foot switch	1
J.	Pole	1
K.	Base	1
L.	X-Y control Motorized Unit	1
M.	Handles for Microscope	2



1.2 Accessories

1	Dust Protect Cover	1
2	Objective Lens Cap	1
3	Fuse	4
4	Sterile Screw Cap (L:6 S:5)	11
5	Power Supply Cord	1



2. Assembling procedure

2.1 Installation Environment

(1) Installation conditions

- Set the instrument in a place not subject to water.
- Set the instrument in a place where there is no fear of adverse effect due to atmospheric pressure, temperature, humidity, ventilation, sunlight, dust, salt, air containing ions etc.
- Stable environment must be maintained avoiding inclination, vibration and impact etc.
- Do not set the instrument in a place where chemicals are stored or gas is generated.

(2) Environmental conditions

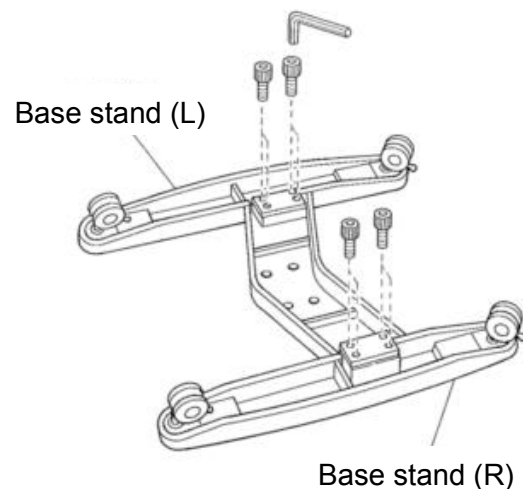
- The operating environmental conditions below must be required when installing the instrument.

Operating environment conditions	
Temperature	+10°C — +35°C
Relative humidity	30% — 75%
Air pressure	800hPa — 1060hPa

2.2 Assembling

(1) Base assembling

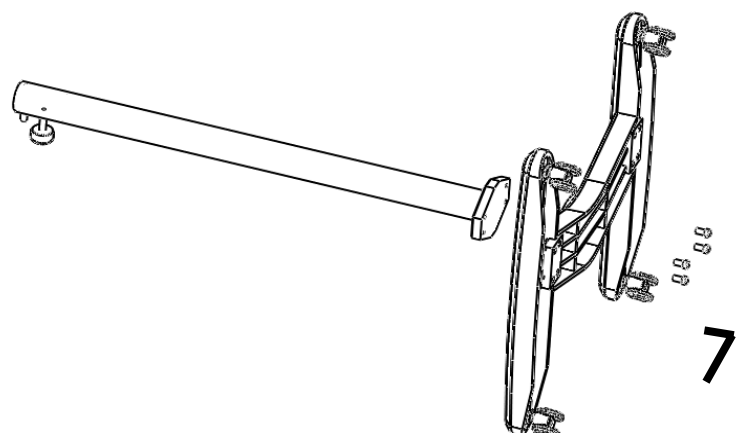
Tighten the base stands with 4 hexagon socket head cap bolts using a hexagon wrench.



(2) Pole assembling

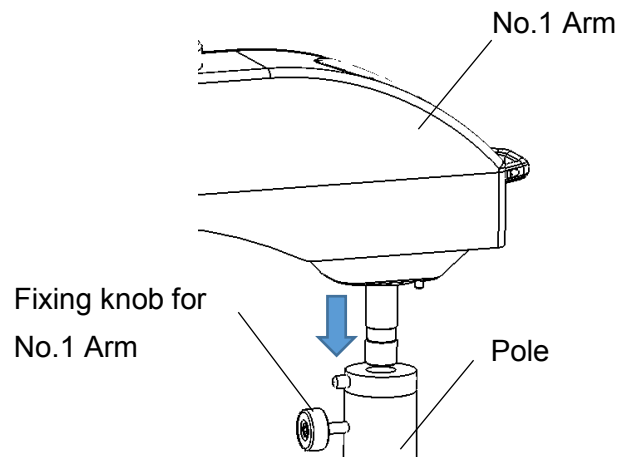
Assemble the pole and the base with 4 hexagon socket head cap bolts.

※The hexagon socket head cap bolts must be tighten securely.



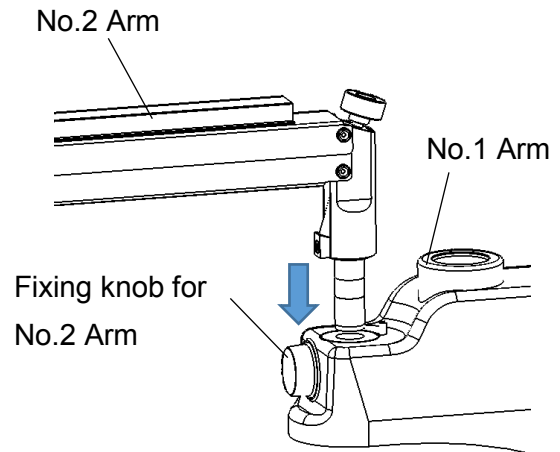
(3) No.1 Arm assembling

Make sure the fixing knob for No.1 arm is loosen. Insert No.1 arm slowly into the pole.



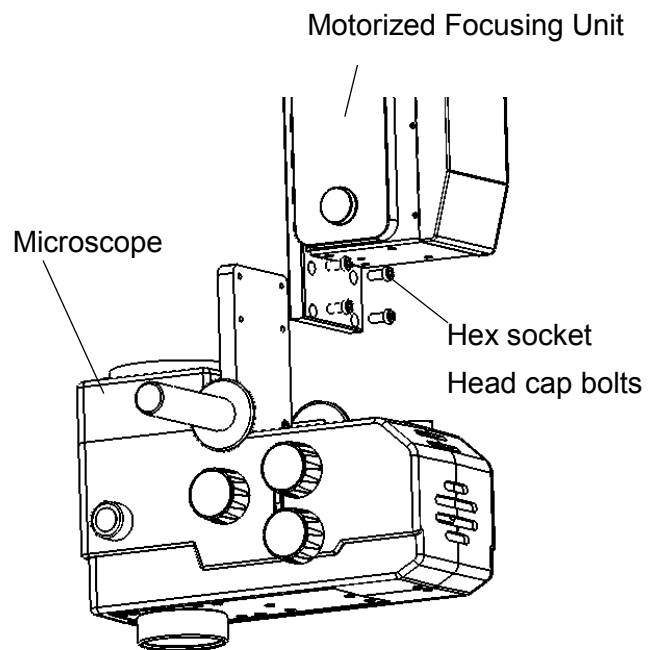
(4) No.2 Arm assembling

Make sure the fixing knob for No.2 arm is loosen. Insert No.2 arm slowly into the hole of No.1 arm.

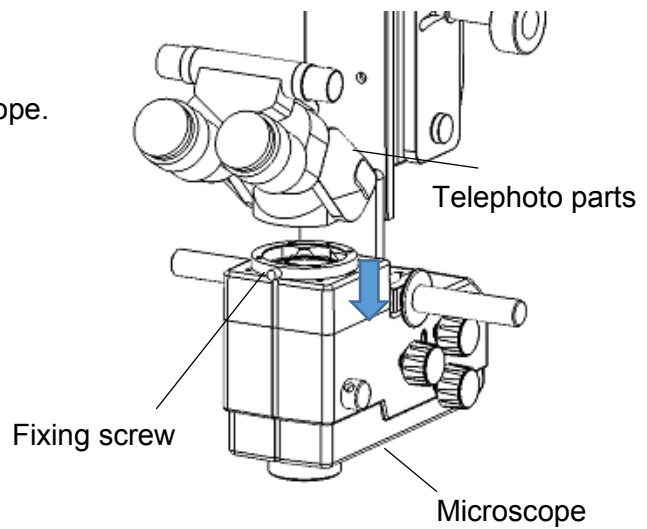


(5) Microscope assembling

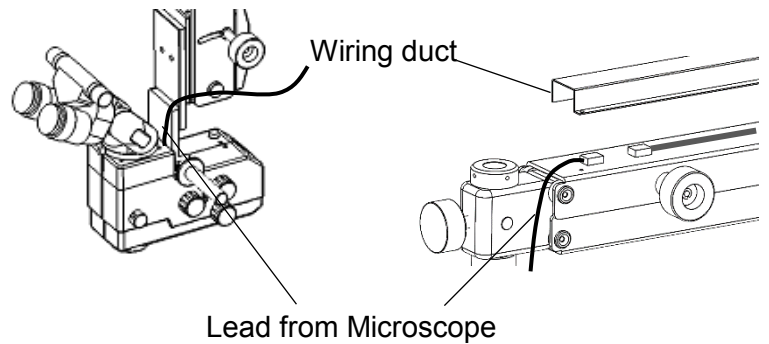
Assemble the motorized focusing unit and the microscope with 4 hex socket head cap bolts.



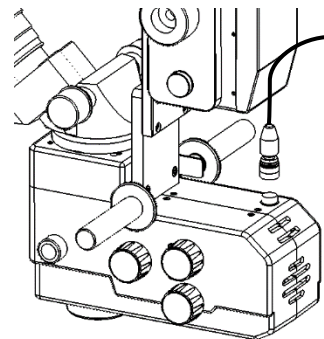
- (6) Telephoto parts assembling
 Mount the telephoto parts on the microscope.
 Then, tighten it with the fixing screw.



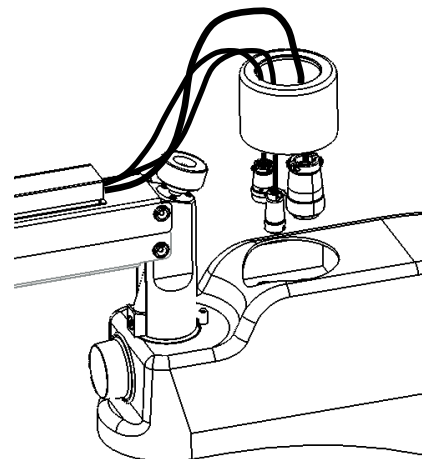
- (7) Connection of power supply cord for motorized focusing
 Remove the wiring duct from No.2 arm.
 Connect the lead connector from
 Microscope with the connector
 inside of the wiring duct.



- (8) Connection for power supply cords for illumination
 Pull out the power supply cords for illumination
 from the wiring duct of No.2 arm.
 Connect one cord with Microscope,
 connect the other with No.1 arm.



- (9) Connection between each controlling cables and No.1 arm
 Connect 3 controlling cables, which is from
 No.1 arm side of No.2 arm wiring duct,
 with No.1 arm receptacle.

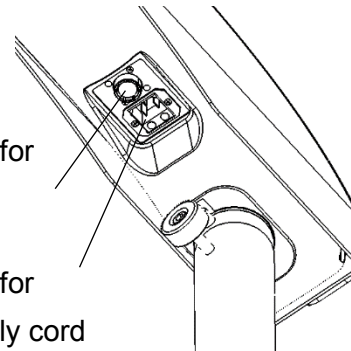


(10) Connection of power supply cord and foot switch

Connect the power supply cord and foot switch plug to the receptacles at the bottom of No.1 arm.

Receptacle for Foot switch

Receptacle for Power supply cord



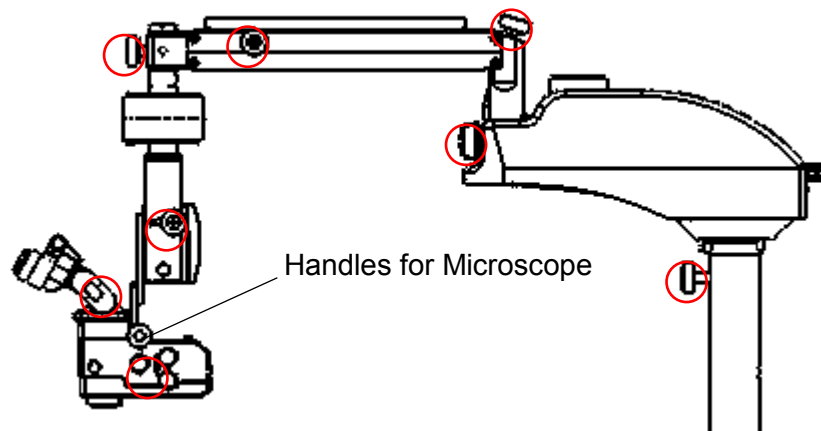
Caution

- Connect the power supply cord properly and turn on the power supply switch.
Electric shock or ignition caused by short-circuit may occur.

(11) Attaching Sterile Caps

Attach the sterile caps to each knobs.

The handles for the Microscope is screw-type structure so that you can unscrew them to sterilize directly.

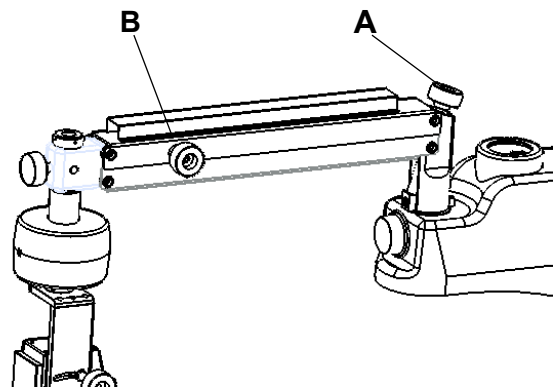


3. Operation

3.1 Adjustment of Arm Balance

After assembling the unit, adjust the balance of No.2 arm.

When the Microscope is fallen or risen, you can adjust the arm to be balanced by turning the knob A. If you want to keep the balance of No.2 arm, tighten the knob B.



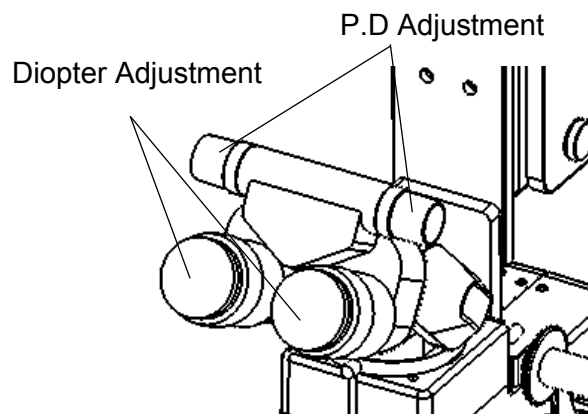
3.2 Adjustment of Telescope

(1) Diopter Adjustment

Rotate the outside flange of the eyepieces and adjust the diopter of the operator.

(2) P.D Adjustment

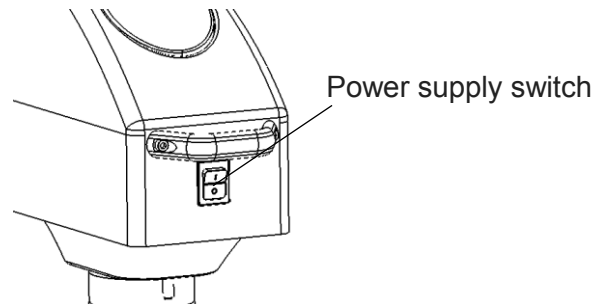
Turn the knobs at the both side of the Microscope and adjust the proper pupillary distance for the operator.



3.3 Power Supply Switch

Press “ | ” of the power supply switch to turn on the instrument.

Press “ O ” of the power supply switch to turn it off.

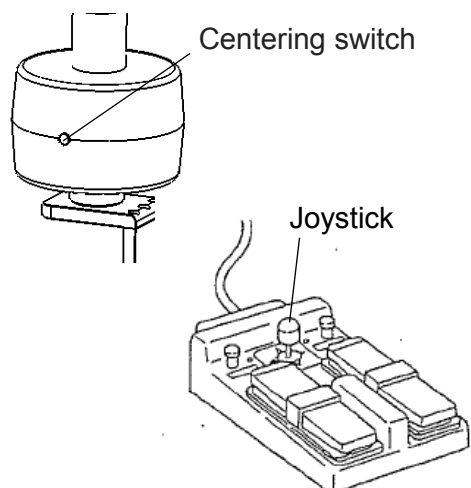


3.4 Controlling X-Y motorized microscope

(1) Press the centering switch of X-Y device to back to the central position.

(2) With the joystick, the movement of the Microscope is controlled to the direction in which the joystick is tilted.

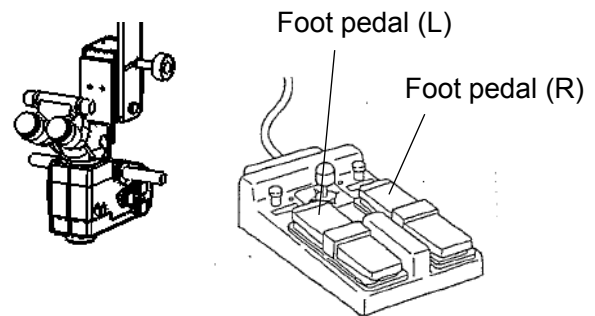
X movement stroke	±25mm
Y movement stroke	±25mm
Microscope travel speed	2.5mm/sec



3.5 Controlling of Focusing device

To adjust focusing, press the left foot pedal.
The Microscope is moved vertically to be in focus.

Vertical stroke	±20mm
Travel speed	1.3mm/sec

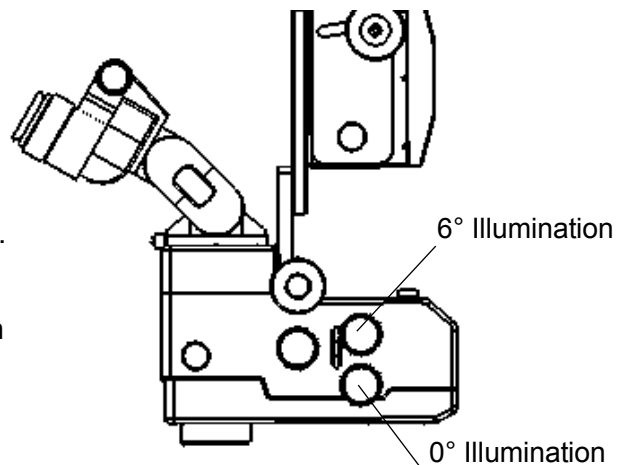


3.6 Changing Magnifications

Press the right foot pedal to change the magnifications.

3.7 Adjusting illumination

Two types of coaxial illuminations are available; 6° Illumination and 0° Illumination. Each of illumination is adjustable without adjustable steps. You can use either or both of illuminations according to the state of the surgical site.

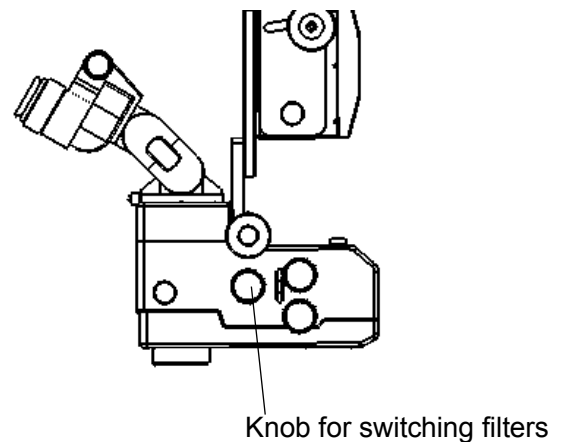


3.8 Switching Filters

Turn the filter switching knob to change the color of 6° Illumination.

Types of Filters

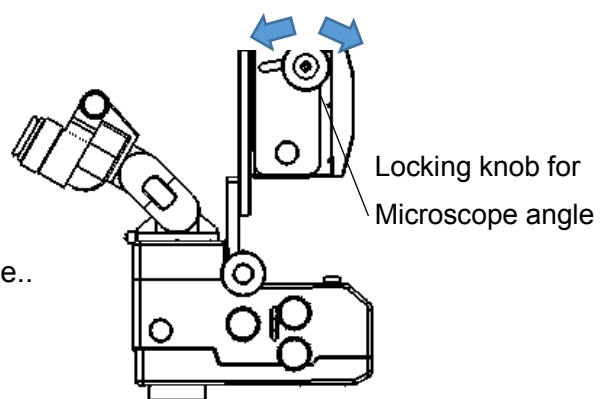
- ① Bulb color
- ② Retina protection
- ③ Red Free
- ④ Unfiltered



3.9 Tilting of the Microscope

Loosen the locking knob for the Microscope angle and you can tilt the angle of Microscope from - 7° to 25°.

Tilt the Microscope to the angle you need and tighten the knob to lock the angle of Microscope..



4. Maintenance

Depending on the operating conditions, parts replacement and repair might be required.

In order to use the instrument properly, the inspection of the instrument and each parts should be performed by user. In the case the instrument has not been used for a long time or it is used again after the long term storage, please check if the instrument is in the proper and safe operating condition before use.

(1) Daily maintenance and inspection

Before using the instrument, please perform inspection (daily inspection) to ensure that there is no mechanical abnormality.

Inspection items	What to inspect	How to set up and adjust
Horizontal adjustment of the instrument	Check with level, if the main unit is placed horizontally.	Place the main unit horizontally.
Connections of the cords	All connections of the cords and electrical grounding are proper and complete.	Connect all the cords and electrical ground.
Brightness of the coaxial illumination	The brightness of the coaxial illumination is set to the appropriate rate.	Set the brightness of the coaxial illumination.
Movements of each arms	The arm can be moved lightly and locked at required position.	Check all movements of each arms.

(2) Regular inspection

In order to use the product correctly, regular inspection must be carried out by user every 3 – 6 months.

Inspection items	What to inspect	How to set up and adjust
Coaxial illumination	There is no bluish light around the illumination.	Please contact your dealer when the equipment abnormality is found.
Fuse	The fuse built-in the inlet is not be blown.	Replace the blown fuse with new ones.
Movement of the second arm (No.2 arm)	The second arm (No.2 arm) moves up and down smoothly. It is stopped at the required position. It is able to be fixed with the fixing knob.	If the arm is not balanced, follow the procedure 3.1.

(3) Cleaning

① Main unit

- If the stains on the surface of the main unit is severe, wipe it with a soft cloth and mild detergent to clean of the main unit.

② Operation knob cap

- Each operation knob cap is removable for disinfection. Make sure to disinfect the operation knob caps before use. The operation knob cap is reusable after disinfection.
- Remove the degraded operation knob cap and the operation handle and replace them with new ones.
- Sterilize by high pressure steam sterilization (Please check the sterilizer for temperature and time)

③ Power supply cord

- Wipe power supply cord with dry clean cloth if it is dirty with dust, oil, etc.
- In the case if the moisture adheres to the power supply cord because of cleaning with wet cloth, the moisture may cause electric shock and fire.

④ Optics

- When fingerprints or dirt adheres to the lenses and mirrors, wipe it gently with dry clean cloth using cleaning solution (ether 8: methanol 2).
- Clean lenses and mirrors with a soft brush when dust adheres to them.
- Clean lenses and mirrors after removing them from magnification unit.
- Handle lenses and mirrors carefully and gently and do not scratch them.

(4) Storage

① How to store

- Make sure to set the main switch to "OFF" (O).
- Unplug the power cord from the outlet.
- Cover the unit with the dust protected cover to prevent the unit from dirt.

② Storage location

- Store the unit where not subject to water.
- Store the unit where there is no danger of adverse effects due to atmospheric pressure, temperature, humidity, ventilation, sunlight, dust, salinity, ion-containing air.
- Store the unit in stable place avoiding inclination, vibration, shock, etc. and keep it in the stable condition.
- Do not store the unit where chemicals are stored or gas is generated.

③ Environmental conditions for storage

- For storage of the equipment, please keep the following environmental conditions.

Storage conditions	
Temperature	-10°C — +55°C
Relative humidity	10% — 95%
Air pressure	500hPa – 1060hPa

④ Movement conditions

- When moving, hold the handle and move it so that it does not fall.

(5) About destruction

- Device (main body and accessories)

If you discard this device, it will be treated as medical waste.

Entrust disposal to a company that has obtained permission to dispose of medical waste.

5. Accessories

- | | |
|----------------------------------|------------------------------------|
| ① Dust Protect Cover - - - - - 1 | ② Objective Lens Cap - - - - - 1 |
| ③ Eyepiece Cap - - - - - 1 | ④ Fuse - - - - - 2 |
| ⑤ Rubber Eyecup for Eyepiece - 2 | ⑥ Sterile Cap - - - - - 5(L), 5(S) |
| ⑦ Power Supply Cord - - - - - 1 | ⑧ Handles for Microscope - - - - 2 |
| ⑨ Foot switch - - - - - 1 | ⑩ Operation Manual - - - - - 1 |

6. Options

- | | |
|---|-------------------------------|
| Assistant Microscope (L-0542) | Beam Splitter (L-0541) |
| Assistant Binocular Microscope (L-0542-B) | Video Camera Adapter (L-0544) |

7. Specifications

Microscope

- | | |
|-----------------------|---|
| Type: | Galilean type Binocular Microscope |
| Magnification: | Motorized 6x zoom |
| Total Magnifications: | 5 - 30x |
| Objective Lens: | F=175mm |
| Eyepiece: | 12.5x High Eye-point |
| Diopter Adjustment: | - 6D to +6D |
| Filters: | Bulb color, Retina protection, Red Free |
| Light Source: | LED (6° and 0°, 1 each) |
| P.D. Adjustment: | 55 – 75mm |

Vertical Fine Control

- | | |
|--------------------------|-------------|
| Type : | Motorized |
| Adjustment of Focus : | 40mm |
| Focusing Speed : | 1.3mm/sec |
| Microscope Inclination : | -7° to +18° |

X-Y Fine Control

- | | |
|----------------------------|--------------------------|
| Type : | Motorized |
| Adjustment of Microscope : | X : ±25mm Y : ±25mm |
| Microscope Travel Speed : | 2.5mm/sec |

Power Requirements

- | | |
|--------------------|---------------|
| Input Voltage: | 220V AC ± 10% |
| Power Consumption: | 70VA |

Foot switch

Type: Floor Installation
(Zoom & Focus : Pedal stepping / X-Y : Joystick operation)

Weight: 2.7kg (approx.)

Physical

Dimensions: 700(W) × 1490(D) × 1720(H)

Weight: 92kg (approx.)



Inami & Co., Ltd.

No.24-2, Hongo 3-chome,
Bunkyo-ku, Tokyo 113-0033, Japan
TEL.(03)3814-1731 FAX.(03)3814-3334

6 Sept 2018 The first edition