

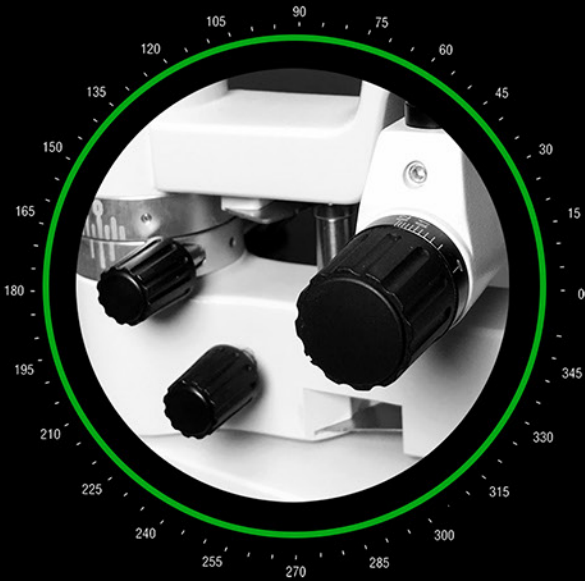


Clinical Slit Lamp
MADE IN ITALY

ZOOM
Magnification

SL-9900





Precise Adjusters

Slit lamp SL-9900 ZOOM are built with high quality optics and precise mechanical parts, feasible for all adjustable slit positions designed for comfort and a new experience while capturing and recording the patients eyes.



Maneuver Cross Slide Joystick

The SL-9900 Series are built with a precise, smooth and high quality joystick. It provides lateral, longitudinal and vertical movements during all patients examinations.

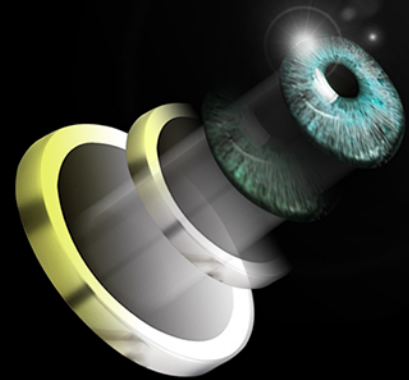
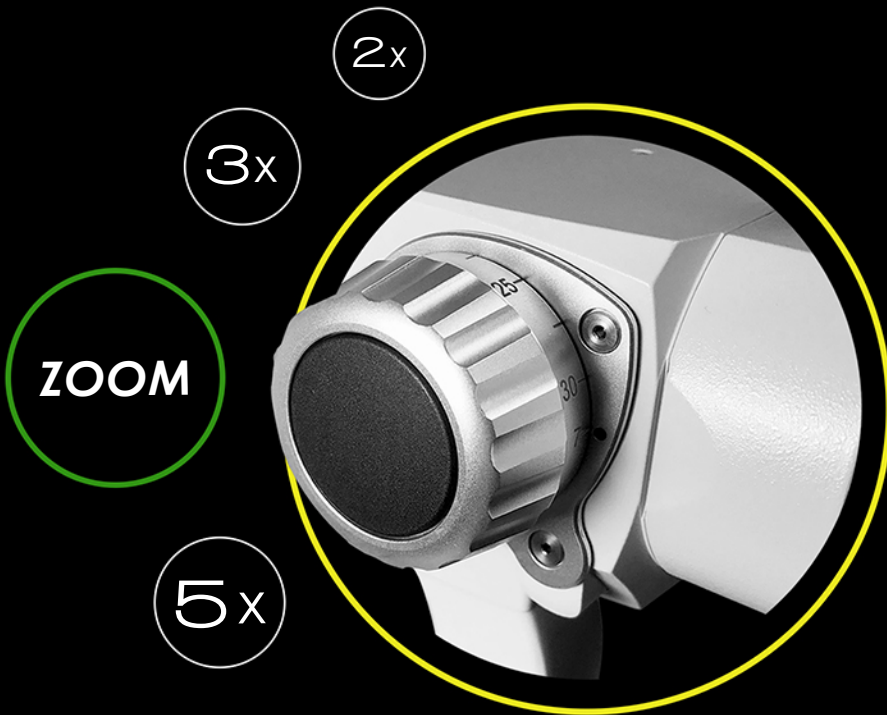


Clinical Slit Lamp
MADE IN ITALY

ZOOM

Magnification

SL-9900



Magnification Options

The SL-9900 Series microscopes has multiple continuous enlargements, giving a clear, brilliant and well contrasted images thanks to the multi-layer anti reflection treatment.

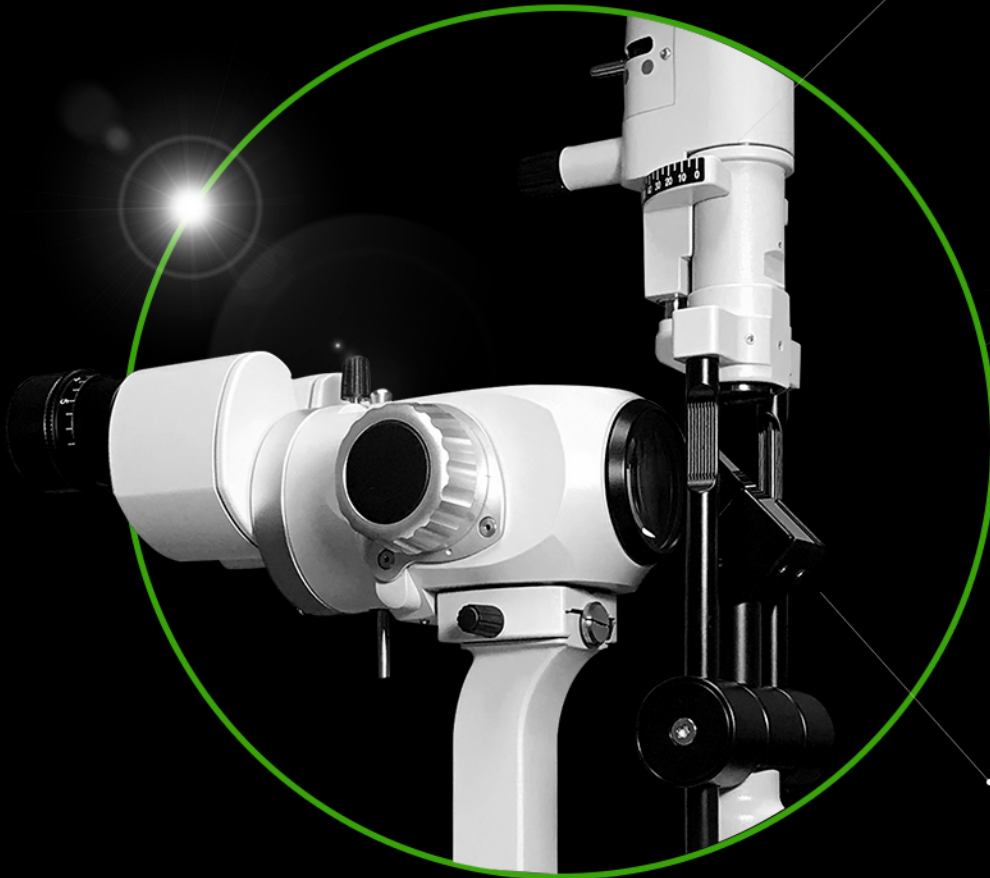
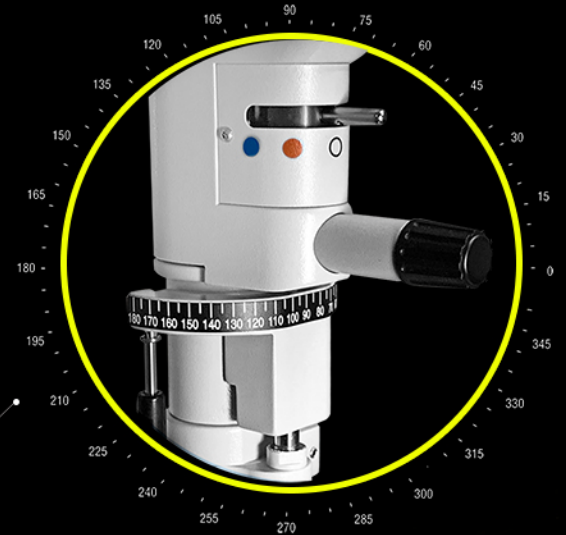
	2X	3X	5X	ZOOM
Binocular Head	Converging Stereoscopic	Galilean magnification changer with converging eyepieces		
Magnification	10x, 16x	10x, 16x, 25x	6x, 10x, 16x, 25x, 40x	6x - 33x Continuous
Light Source	LED	LED	LED	LED
Built-in Yellow Filter	No	Yes	Yes	Yes
Digital Imaging Ready	No	Yes	Yes	Yes
Optional Eyepieces	16x, 26x	No	No	No
Weight (Lbs/Kg)	49 / 22	53 / 24	45 / 20	50 / 23

⊕ ⊖ The SL-9900 Zoom slit lamps has a rotation of $\pm 90^\circ$ continuous with a Tabo system and actual visual field of 32-6.2.



Filter Insertion Control + Lever

The optical filters devices controllers can selectively transform light of different wavelengths used in many applications. Available Filters: Blue, Red, Gray, Green (Red free).



Lightning Card Red LED Reflex

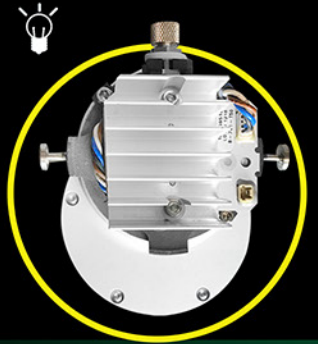
SL-9900 ZOOM slit lamps are built with a tilting device where the diagonal light sources can be vertically projected up to 20° with 5° intervals. This shows to be very helpful in the horizontal optical observation gonioscopy & posterior eye examination.



Clinical Slit Lamp
MADE IN ITALY

ZOOM
Magnification

SL-9900



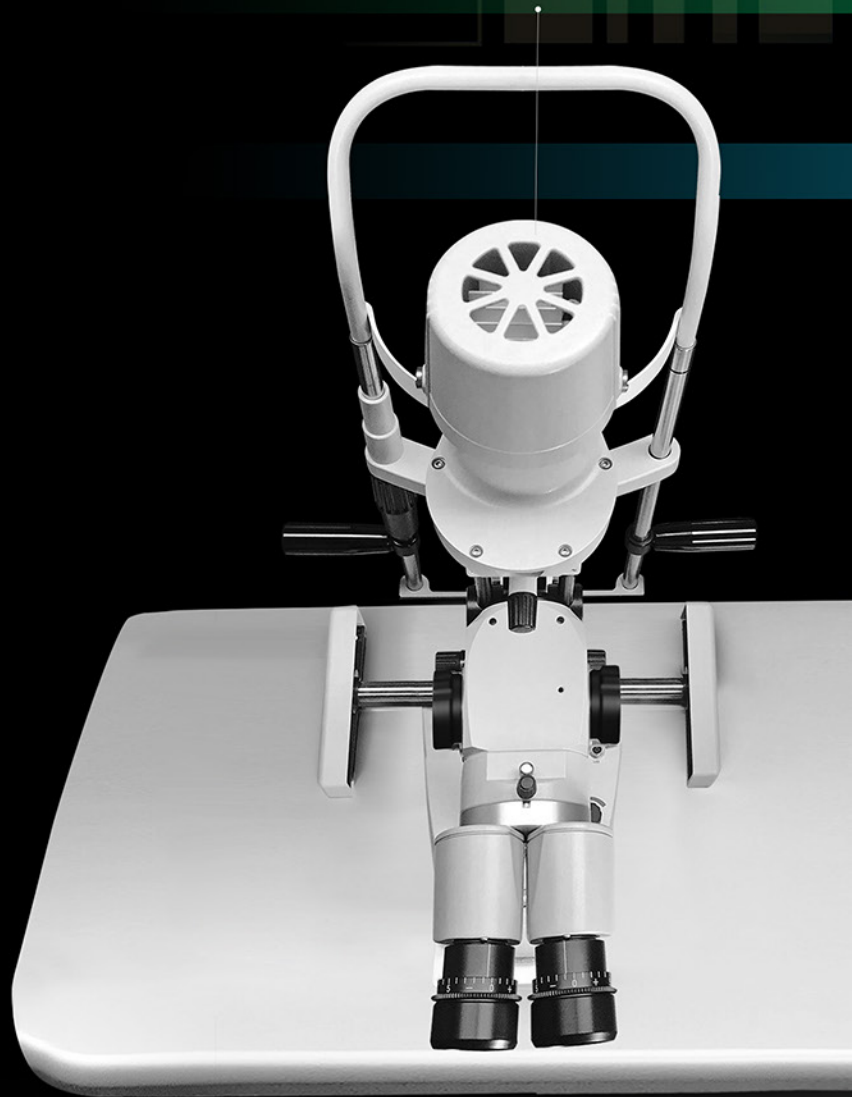
Illumination System

SL-9900 slit lamp offers an LED illumination lamp designed for accurate and detailed observations. The life of the LED is longer than 50,000 working hours and its color temperature is constant in each situation.



High Quality Optics

SL-9900 ZOOM slit lamps offers high quality optics and excellent image quality for all ophthalmology demands. These devices features one stereoscopic microscope with 2 magnifications, or one Galilean system with 3, 5 magnifications, or with progressive zoom, complete with screw-out eyepieces.





Clinical Slit Lamp
MADE IN ITALY

ZOOM
Magnification

SL-9900

HR - Digital Video Camera

The new HR digital video camera has been particularly designed with hardware, firmware and optimized for all ophthalmologic purposes.

Optional - **Accessory**



USB CONNECTION

HR camera is based on a high performances CCD sensor, an excellent color rendering and a integrated Phoenix software.



Canon Cameras

SL-9900 ZOOM slit lamps offers an optional Canon EOS Rebel Series cameras designed to capture photos and videos with its high resolution megapixel sensors and precise focus.



Optional Adaptors

SL-9900 ZOOM slit lamps are designed to incorporate optional accessories such as the beam splitter and camera adaptor so that it can be attached with the stylish Canon professional camera.

Digital Adaptors **VL-Z8**

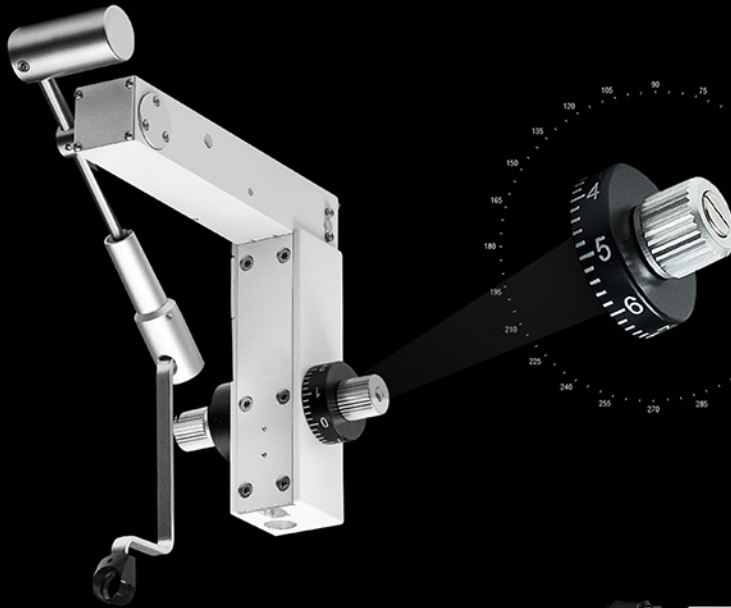
Tonomter Z-800

The Z-800 tonometer provides extreme measurement accuracy. All values are directly readable on the instrument and without any standardization or calibration difficulties.

Clinical Slit Lamp
MADE IN ITALY

ZOOM
Magnification

SL-9900



Tonomter A-900

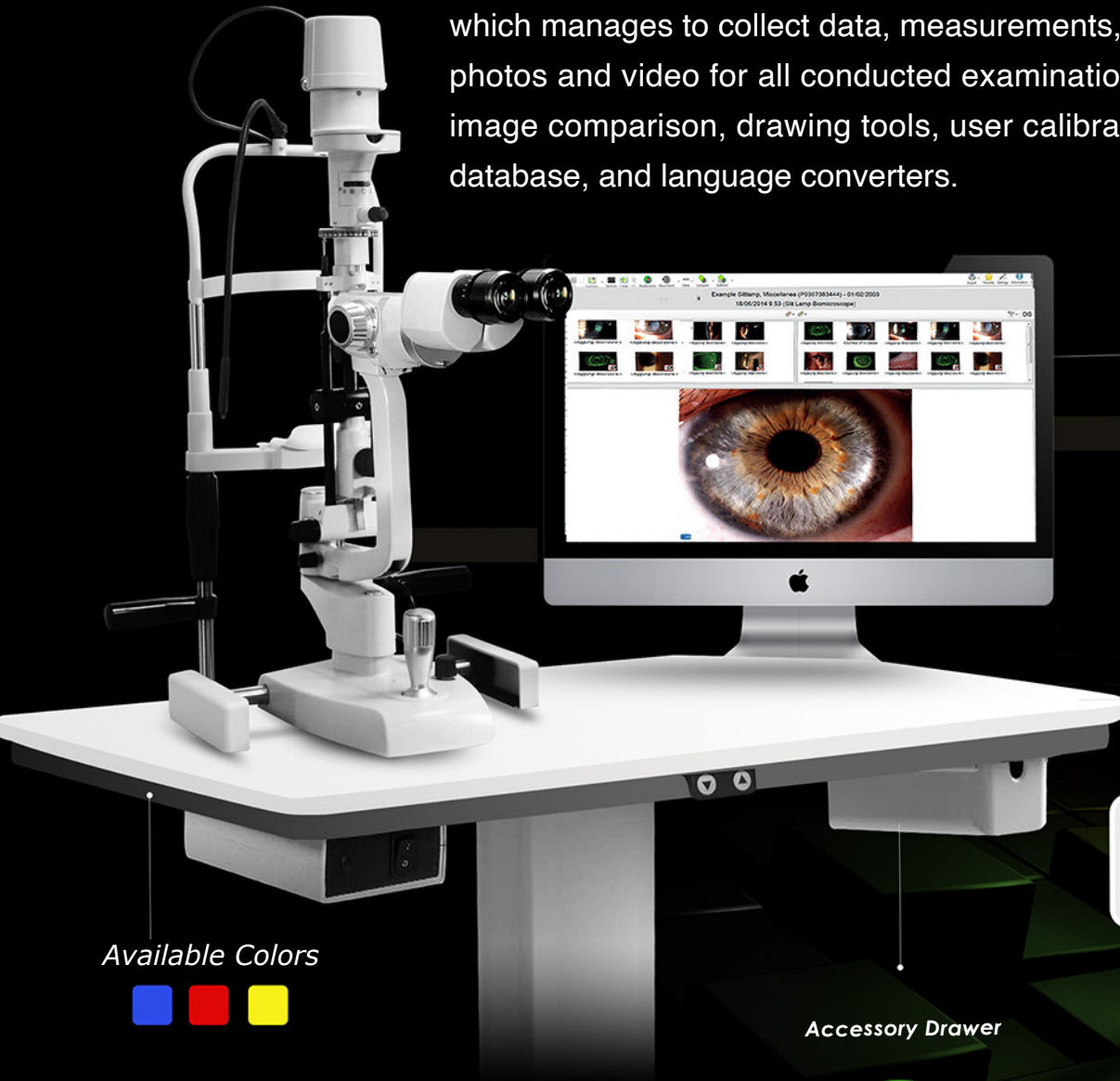
The A-900 is an accessory to any slit lamp model, used for measuring ocular pressure, amount of force needed to temporarily flatten part of your cornea and to prevent risk of developing glaucoma.





Phoenix Software

The SL-9900 Series slit lamps includes a Phoenix software technology which manages to collect data, measurements, captures high quality photos and video for all conducted examinations. Also features an image comparison, drawing tools, user calibration sources, network database, and language converters.



Viewlight Monitor
Optional

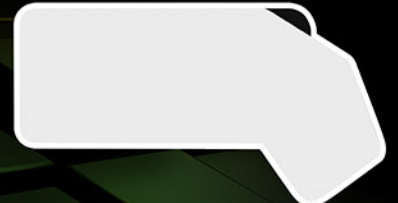
**TABLE TOPS
(Not Included)**

Model: 100710805

Available Colors



Accessory Drawer



MODEL 10.02.59.820

Model: 100710807



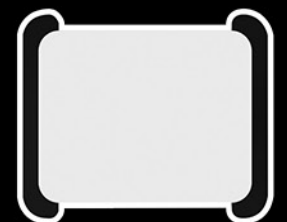
Model: 100710803

LIFT Electrical Tables (LIFT-01 & LIFT-02)

CSO sturdy and secure instrument table features an adjustable height sequence designed for 1-2 optical instrument configurations.

Table Tops

All CSO surfaces of these tables are designed to be very rigid with minimum deflection so that the alignment of optical elements remains stable over time

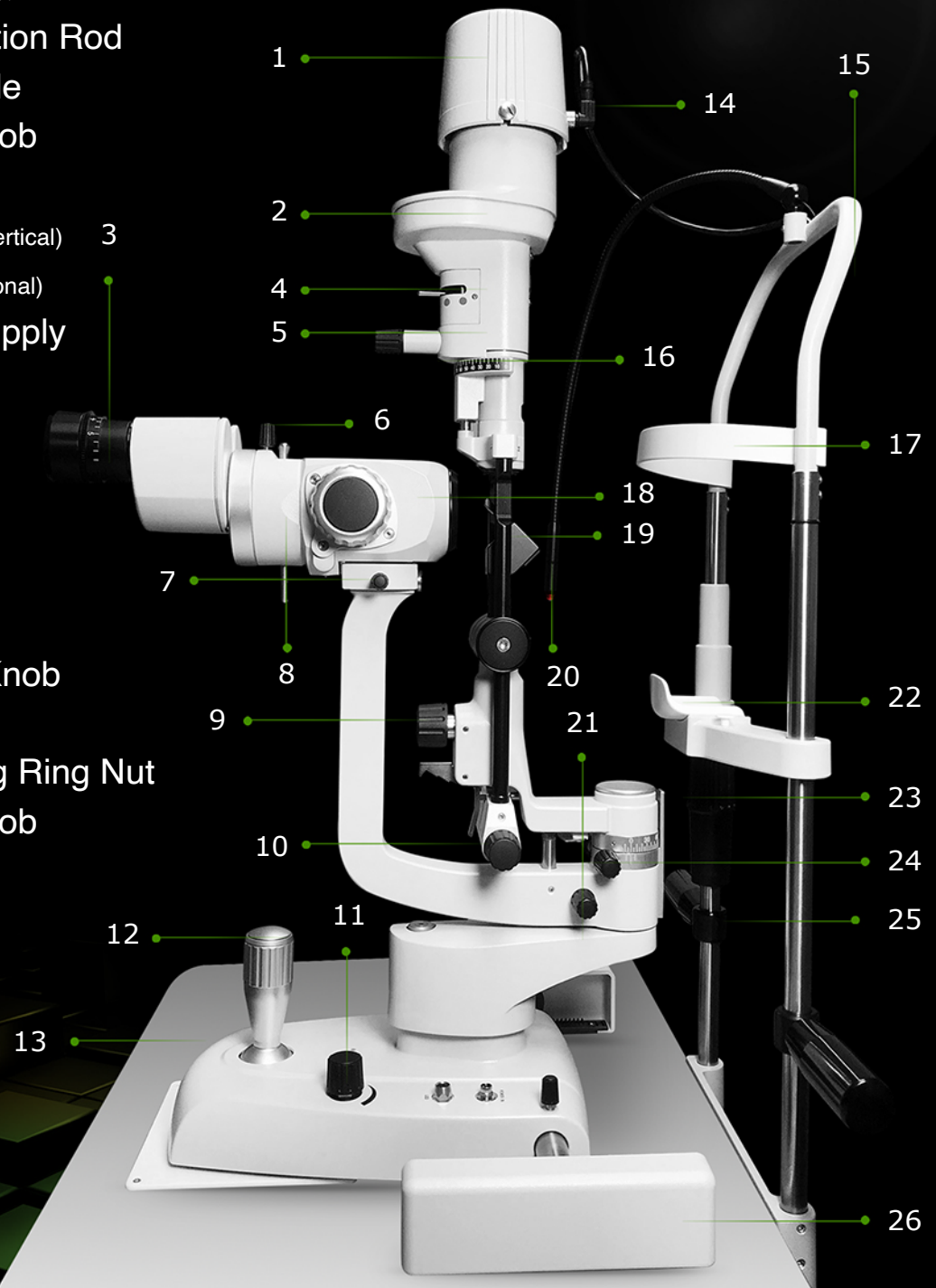


Model: 100710801

Slit Lamp SL-9900 Zoom

SL-9900 ZOOM are designed slit lamps for ophthalmologists and optometrists for specific diagnostic procedures such as the biomicroscopic examination of the eye, ocular fundus, and posterior vitreous body.

1. Light Bulb / LED Cover
2. Slit Height Value Index
3. Extractable Eyepieces
4. Filter Selection Knob
5. Slit Height Adjuster / Tuner
6. Microscope Splitter Knob
7. Microscope Locking Knob.
8. Fluorescein Filters Insertion Rod
9. Projector Positioning Scale
10. Slit Width Adjustment Knob
11. Brightness Control Knob
12. Joystick (lateral, longitudinal & vertical)
13. LIFT Electrical Table (Optional)
14. Fixation Point Power Supply
15. Chinrest Module
16. Graduated Scale
17. Head Rest
18. Magnification Tuner
19. Slit Lamp Mirror
20. Fixation Point
21. Microscope Arm Fixing Knob
22. Chin Rest
23. Chinrest Height Adjusting Ring Nut
24. Slit Width Adjustment Knob
25. Patient's Handle
26. Wheel Shields





Specifications

Stereoscopic Microscope

Microscope	2x	3x	5x	Zoom
Type	Convergent	Galileian convergent with magnification change syste		Galileian convergent w/ variable magnification
Eyepiece Convergence Angle	13°		6°	
Eyepieces	10x	12,5x	12,5x	12,5x
Eyepiece Adjustment			±8 D.	
Magnifications	10x 16x	10x 16x 25x	6x 10x 16x 25x 40x	7X 30X
Field of View		8,5x 14,8x 25,6x	5,6x 8,5x 14,8x 25,6x 39,3x	
Interpupillary distance	18,5mm - 12mm	26mm - 8,5mm	41mm to 5,7mm	30mm to 7,4mm
Barrier filter	51,5mm to 87mm	50mm to 80mm		
Barrier filter		Yellow		



Technical Data

Slit Projection	1X
Slit Width (setting continuous)	0 – 12 mm
Slit length (setting continuous)	1– 12 mm
Slit Length (max)	12 mm
Apertures	12, 9, 5, 1, 0,2 mm
Filters	Blue, Red, Gray, Green (Red free)
Light Diffuser	Light Diffuser
Background Light	Only with Digital Vision HR
Slit Rotation	± 90° continuous (Tabo system)
Slit Angle	Variable 0° 5° 10° 15° 20°
Rotation - Slit projection	±90°, angular scale, ref. on 0° ±10°
Working distance	80 mm
Joystick Push Button	Only with Digital Vision HR
Left / Right Detection	Only with Digital Vision HR
Voltage	15V DC 1A
Light Source	White LED
Brightness	248000 LUX continuous adjustment
Dimensions (HxWxD)	675 x 313 x 335mm
Weight	7 kg

System Requirements (Version Digital HR)

PC:	4 GB RAM
Video Card:	1 GB RAM
Resolution:	1024 x 768 pixels
USB	3.0 Type A
Operati ng System	Windows XP, Windows 7 and Windows 10 (32/64 bit).