

# VIEWLIGHT

POWERED BY INNOVATION

# PURE

REFRACTION UNIT



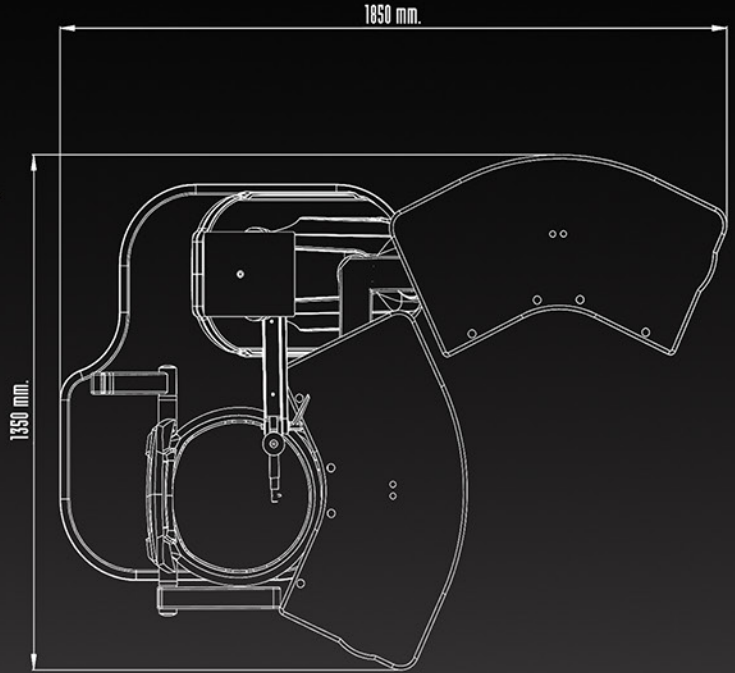
Ophthalmic Instruments  
**Not Included**

# PURE

## REFRACTION UNIT

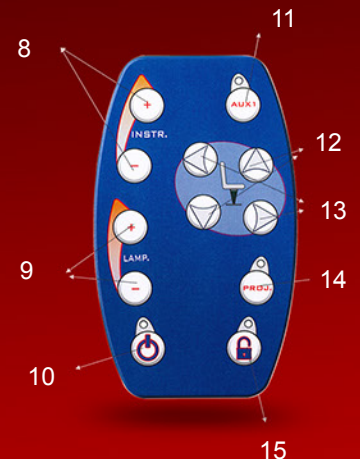
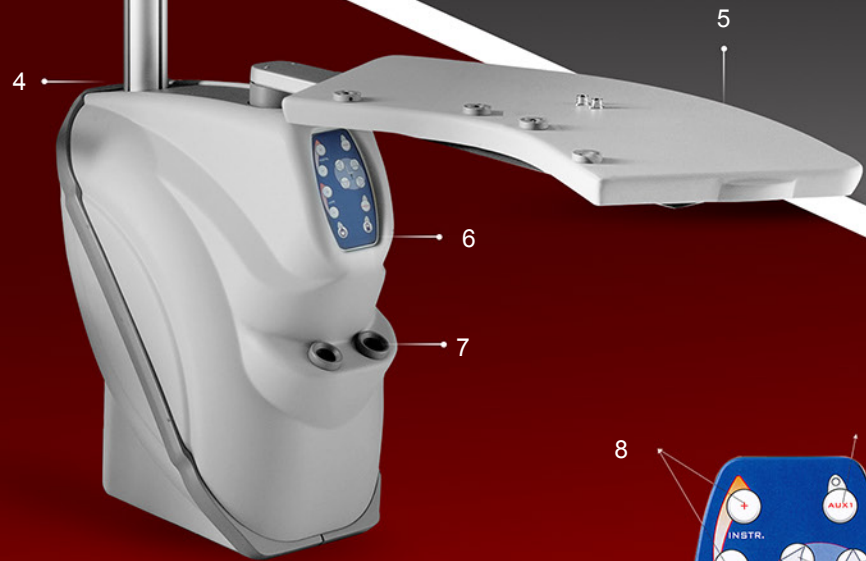
The PURE ophthalmic units can hold up to two instruments on their rotating table tops. Their one touch control panels facilitate easy operation. The PURE ophthalmic examination unit can be reclined allowing doctors to comfortably perform other diagnostic procedures.

Viewlight USA offers the latest and most innovative addition Refraction Unit PURE. Designed and installed in hospitals, optical shops, eye doctor studios, polyclinics, and many others.



### Features:

1. Projector Support
2. Column with LED Lamp
3. Phoropter Arm (Optional)
4. Hand instruments support
5. Two Working Station Table
6. Digital Control Panel
7. Two Objects Storage
8. Device Light Intensity Adjustment
9. Lamp Light Intensity Adjustment
10. Auxiliary ON / OFF
11. Unit ON / OFF
12. UP / DOWN Chair Movement
13. Anterior / Posterior Base Movement
14. Projector Turn ON / OFF
15. Lock / Unlock Table



### Accessories

- Counter Balanced Phoropter Arm
- Rod for Slit Lamp
- Chin Rest Adapters
- Hand Instruments recharge or Feeding
- Fixed Monitor Support
- Adjustable Monitor Support
- Extra Spotlight

# PURE

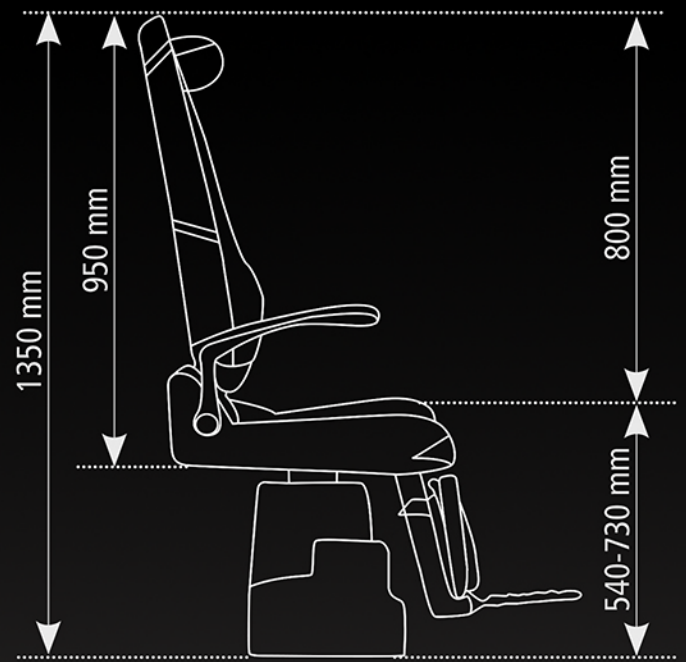
## ADJUSTABLE CHAIR

Viewlight USA displays a **NEW** modern and advanced examination chair PURE, offers a detailed adjustable armrests, recline bar for easy rotation, reclinable footrest, comfortable upholstery padded materials for patient comfort.



### Specifications:

- Dimensions: Min 430mm | Max: 620mm
- Width: 600mm
- Depth: 750mm
- Weight: 80 kg
- Max Capacity: 135 kg
- Power Supply Voltage: 230Vac - 50Hz
- Current Absorbed: 400 w
- Main Fuses: 2x T5A 250V for 230V



### Overview:

1. Counter Headrest
2. Fixed Backrest
3. Reclinable Armrest
4. Rotation Handle
5. Up and Down Switch
6. Chair Base
7. Reclinable Footrest

