

VIEWLIGHT
POWERED BY INNOVATION



NEW LIFT

01 & 02

Electrical Tables

.....
Table Tops - Not Include



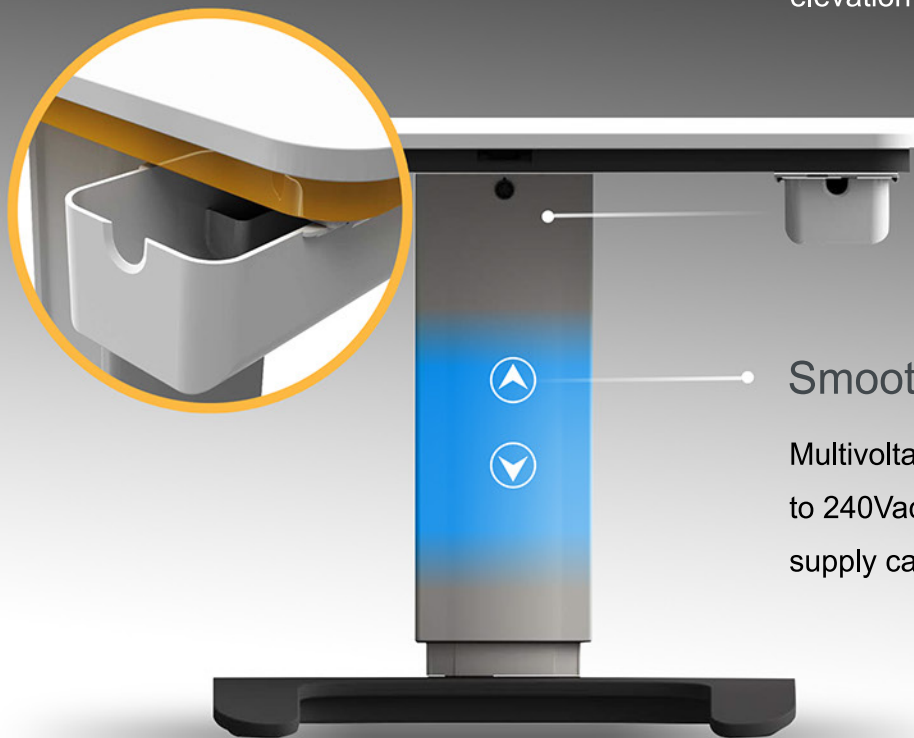
LIFT *ELECTRICAL TABLES*

Overall Features

The new ophthalmic electrical table **LIFT 01 & 02** allows to place one or more devices on its table top, whose elevation can be adjusted. The electric table is composed of an optional table top where, cogged guides are already installed for the device housing.

The “strong” design, obtained by the increasing of weight and dimension, the use of new material (no plastic), gives a modern and essential appearance.

- Power cable connection
- Cogged Wheels
- Scrolling plate
- Keyboard Connection
- Speed: 10mm/s
- Voltage: 100-240V



Electrical Table Elevation

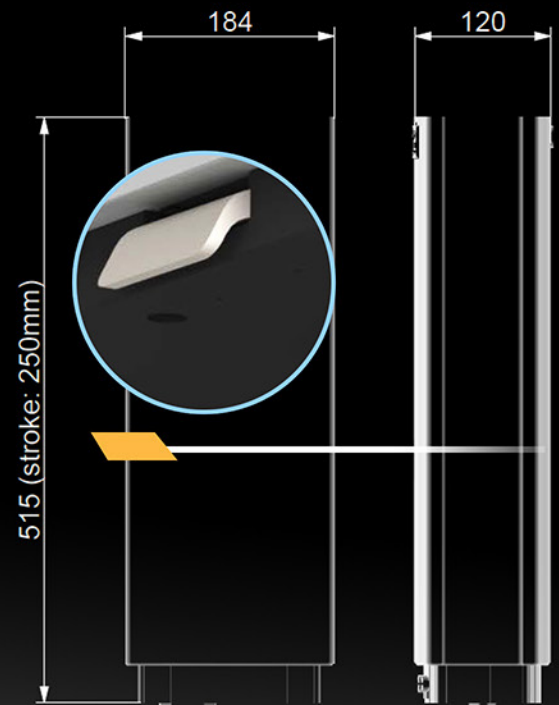


Table top elevation can be adjusted by using the keypad which operates on the elevation telescopic column.

Smooth Transitions

Multivoltage elevation column from 100Vac to 240Vac (50Hz o 60Hz) and offers a power supply cable (German and USA plug).

NEW

LIFT - 01 Electrical Table

Standard base is made by die-cast aluminum. Its weight is 6,5kg but can be increased using ballasts to fix under the base (+7kg). It is painted by anti-scratch coating. It can support feet or wheels.

- Power Cable Connection
- Cogged Wheels
- Max Thrust Load: 1400N
- Speed: 10mm/s
- Voltage: 100-240V
- Absorption Max: 1,5A



Multi Voltage - Elevation

Multivoltage elevation column from 100Vac to 240Vac (50Hz o 60Hz) with wheels and feet power supply cable (German and USA plug) Keypad for up/down control with cable.

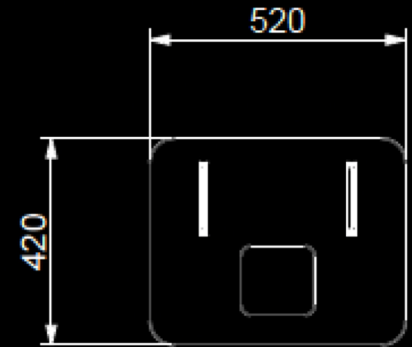
LIFT - 01

Table Tops

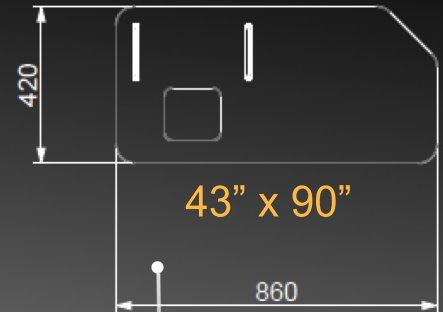
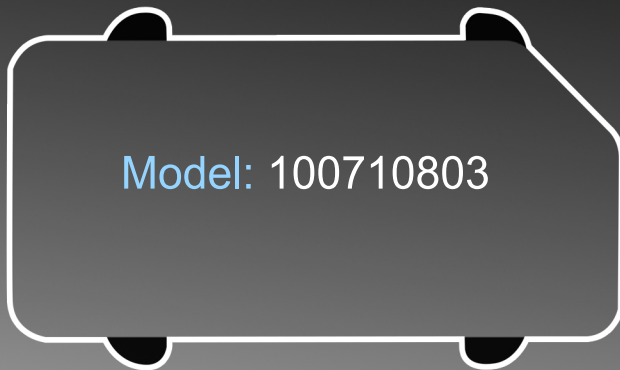
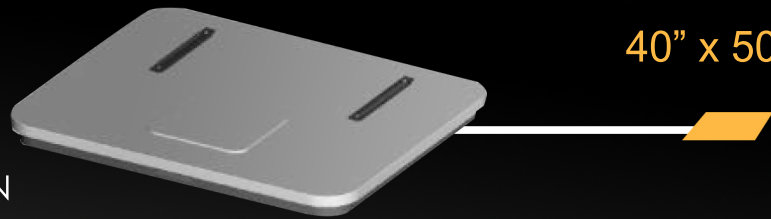
STANDARD DESIGN - Optional

Standard base is made by die-cast aluminum. Its weight is 6,5kg but can be increased using ballasts to fix under the base (+7kg). Painted by anti-scratch coating. It can support feet or wheels.

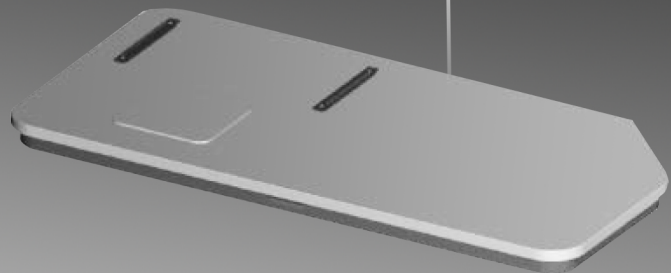
- Made out of Wood
- Tools Compartment
- Cogged Wheels
- Max thrust load: 1400N



40" x 50"



43" x 90"



Recommended Devices:

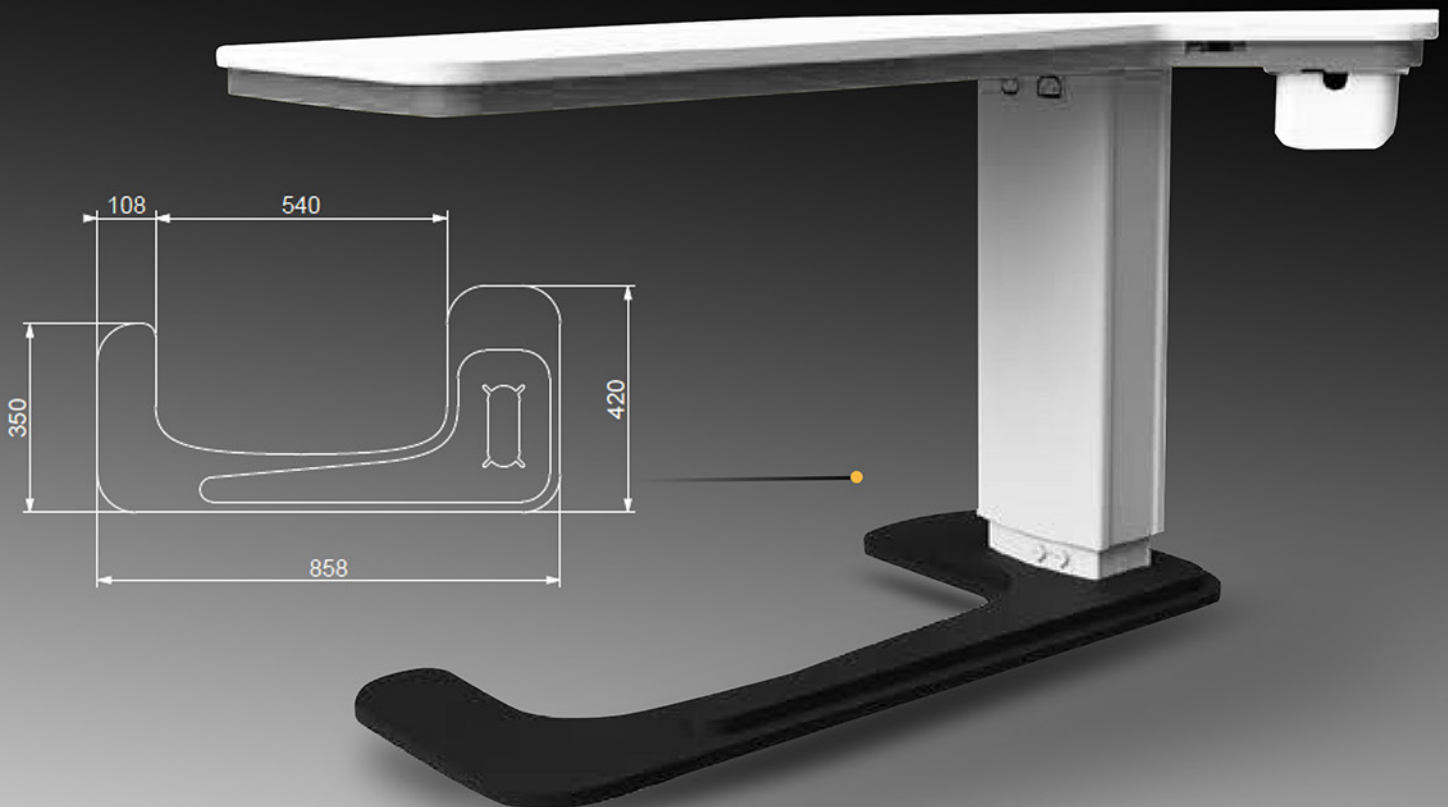
1. EndoThelial Microscope - Perseus
2. Topographer & Tomographer - SIRIUS
3. Aberrometer & Topographer - OSIRIS-T
4. Digital Slit Lamp - ELITE

NEW

LIFT - 02 Electrical Table

Lift 02 - is features a adjustable configuration, designed with metal sheets to improve a stable support for 1 or 2 instruments display. Its rugged construction and simplicity allows you peace of mind in knowing your instruments are secured on a stable platform.

1. Stability
2. Hidden cables
3. Easy to assembly
4. Anti-Scratch Coating
5. Heavy (23Kg)



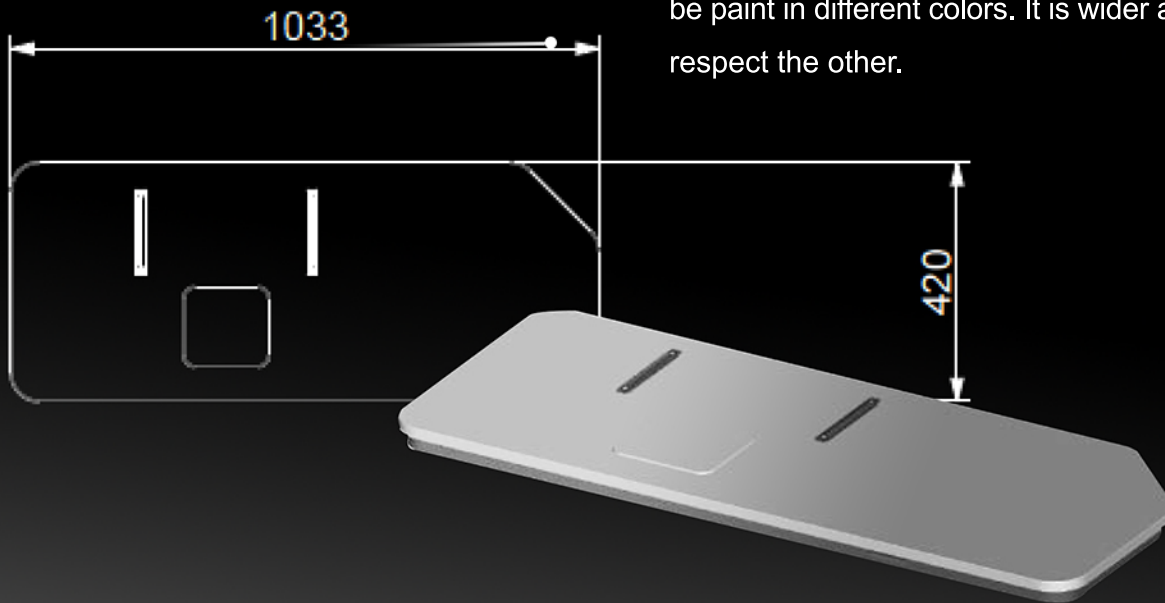
LIFT - 02 Table Tops

MODEL: **100710805**

HANDICAP DESIGN - Optional

The LIFT - 02 table tops are all composed with two different side: Top Side is assembled on the bottom side. It is painted by anti-scratch coating, and generally in white color.

Bottom Side is assembled on the column. It can be paint in different colors. It is wider and stronger respect the other.



MODEL: **100710807**



Recommended - Devices

1. Slit Lamps SL-9900 Series
2. Topographer - Anatares
3. MS-39 Anterior Segment OCT
4. Retinal Camera - COBRA