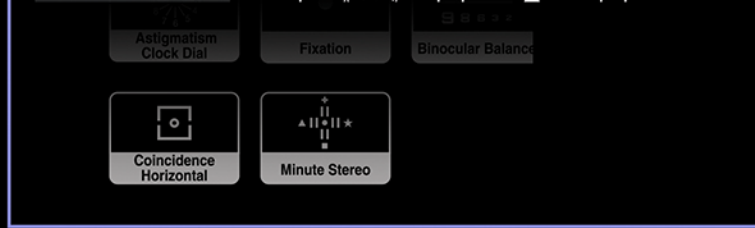


VIEWLIGHT

POWERED BY INNOVATION

NEW CHART & PROJECTOR

ACP-900



About ACP-900

Viewlight's auto chart projector **ACP-900** is the most advanced measuring visual acuity in the market. Features 41 different charts including red/green and polarized filters for the eye optometry.

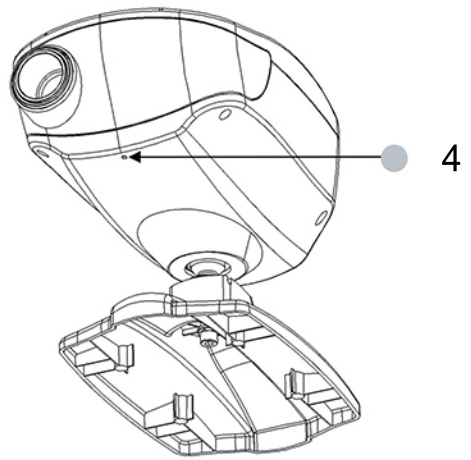


LED Light Source

ACP-900's advance acuity chart projector is used for displaying letters or icons onto the wall for patients to read. Viewlight USA features a semi-permanent lifetime LED light source that's brighter and clearer than conventional bulb light.



9



Streamlined Shape Design

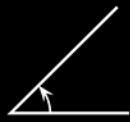
With its attractive streamline design, the ACP-900 is guaranteed to fit in within any practice.

- 1. Projection lens / Focusing wheel
- 2. Receiving window
- 3. Table stand
- 4. Pilot Lamp
- 5. Power On/Off Switch
- 6. AC Power Inlet
- 7. Fuse Holder
- 8. Angle Adjuster
- 9. RS-232 Port

2 ●
1 ●

3 ●





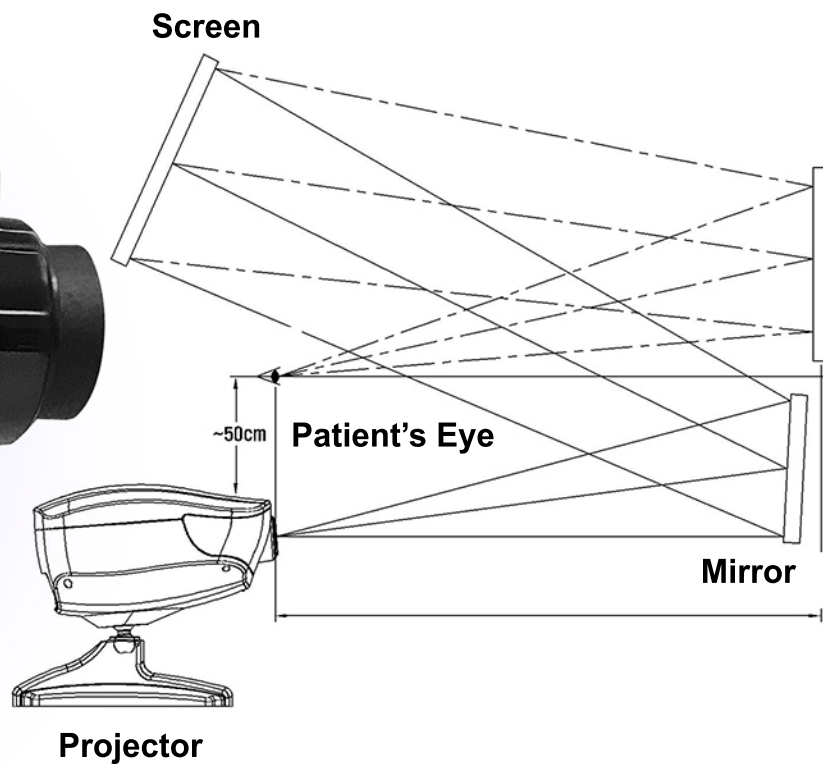
Three Dimensional Alignment

The ACP-900 projector is optimized when the projection screen is angled to direct light to the patient's head. Place a mirror on the screen. The light should project where the patient's head would be.



Refraction Distance

Position the instrument at the same distance from the screen to the patient within the range between 2m and 7m. To obtain longer refracting distances in small rooms, a mirror or systems of mirrors can be displayed. In this case, a high quality front surface mirror is required.





Remote control

ACP-900 Features a wireless control interactive iOS applications to control the functions for the chart system.

Specifications

1. Inflated ray transmitter

2. Letters chart

3. Number chart

4. Snellen chart

5. Program

6. Lamp ON/OFF

7. Vertical, horizontal line, single Letter Masking

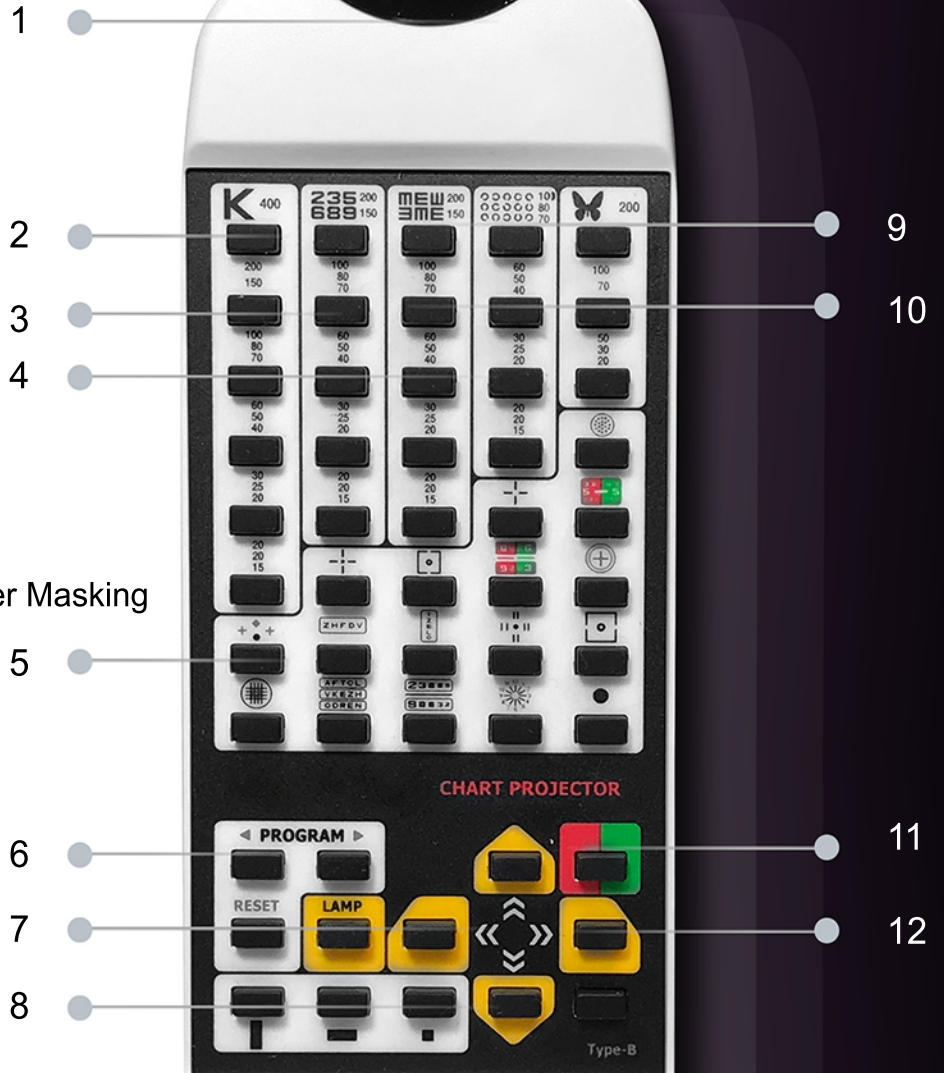
8. Children chart

9. Landolt chart

10. Function chart

11. Red/Green Test

12. Direction





A TYPE

LETTERS

SNELLEN

CHILDREN

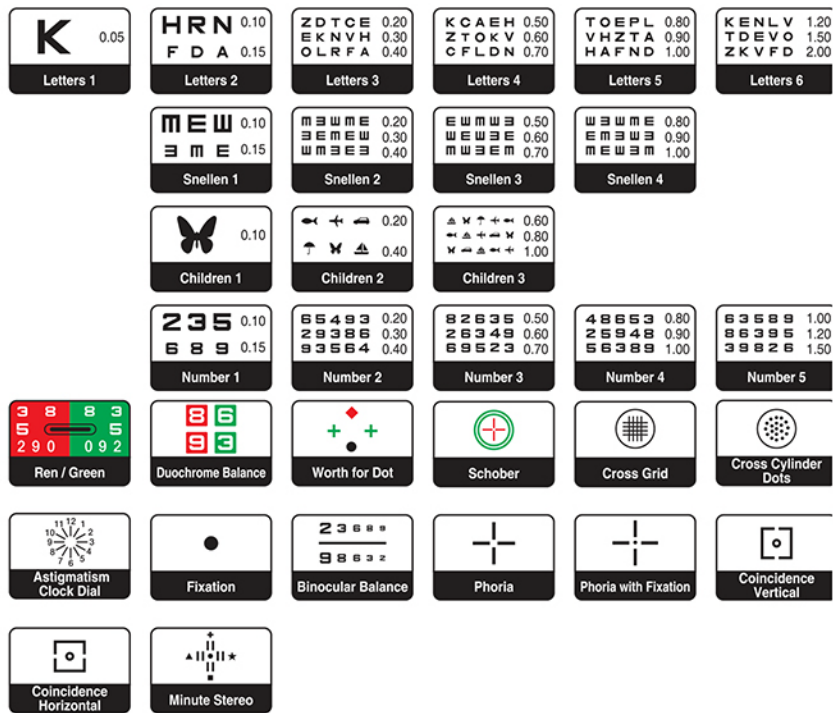
NUMBER

FUNCTION



Chart Variations

The ACP-900 offers 4 chart types refracting distance from the patient's eye to the screen.
 A Type - Fraction Indication B Type (Feet Indication) C Type (Meter Indication) D Type (For Russians)



Allegro Refraction Unit - Optional

The Allegro's stand 7800 is designed for a full functional and compatibility with any Viewlight refraction unit. It features a sleek countered design, allows maximum efficient operation and accessible to all patients

B TYPE

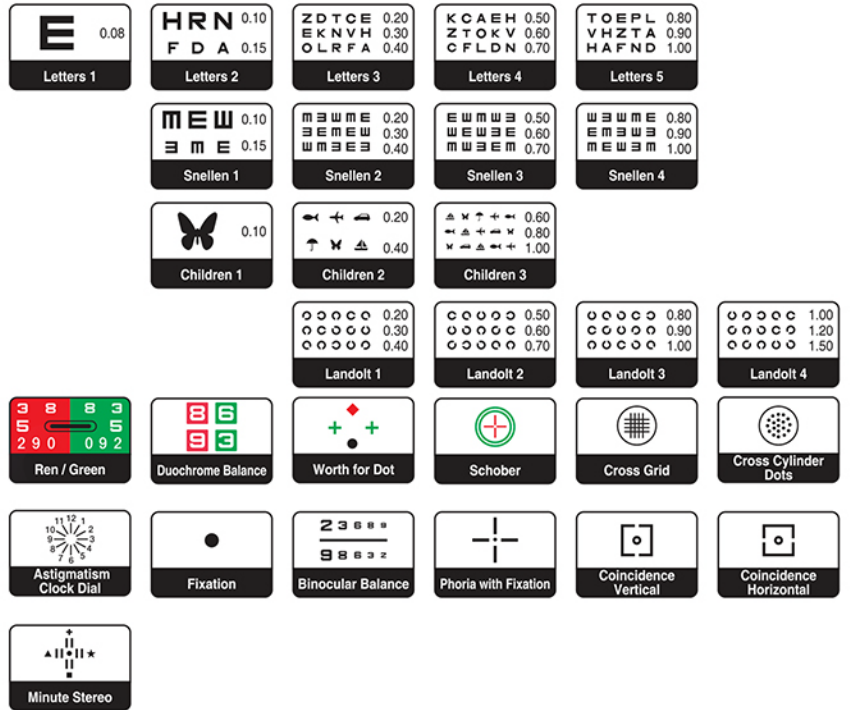
LETTERS

SNELLEN

CHILDREN

LANDOLT

FUNCTION



C TYPE

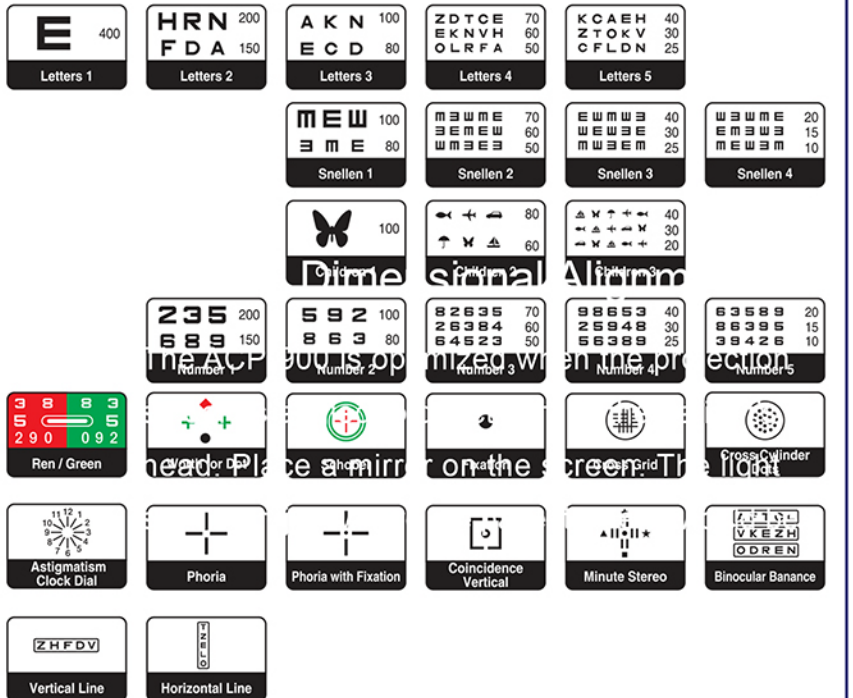
LETTERS

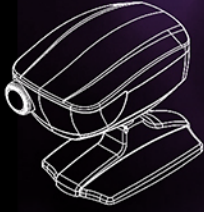
SNELLEN

CHILDREN

NUMBER

FUNCTION





Product Specifications:

- **Chart** 41 pcs
- **Selection Speed** Average 0.3 sec
- **Mask** 1 Open, 3 Vertical, 3 Horizontal, 21 Single Letters
- **Filter** Red/Green
- **Proj. Distance** 2.0 ~ 7.0 m (3m is standard)
- **Proj. Magnification** 30 X (at 5m)
- **Proj. Size** 252 mm and 330(W) X 225(H) (at 5m)
- **Tilt Angle** Ball Joint ($\pm 10^\circ$)
- **Lamp** LED Lamp
- **Power Supply** AC 100 ~ 240V, 50/60 Hz
- **Power Consumption** 80 VA
- **Auto-Off Function** 5 ~ 10 minutes after

- **Dimension** 165.7(H)X188(W)X300(D)
- **Weight** 3.44 Kg
- **Remote Controller** 20(H)X64(W)X195(D)mm/180g
- **Interface** 8 pin Connector for Control of chart, mask and R/G filter by a Digitalized Refractor's controller
- **Accessories** Dust Cover, Polarized Metal Screen, Polarized Glass, Spare Fuse(2), Batteries(2), Spare Lamp(1)

