

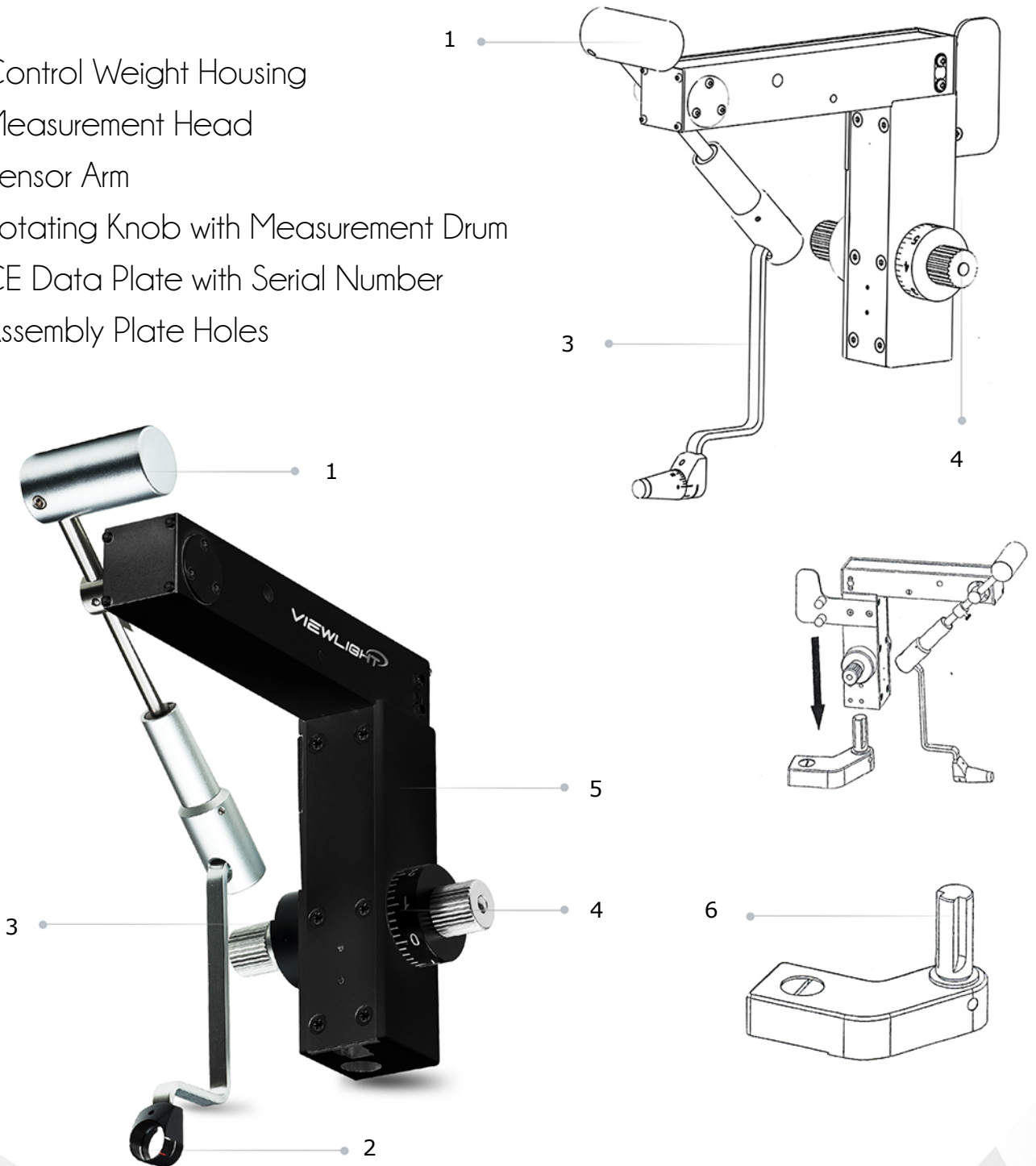


Tonometer
TU-100

Tonometer

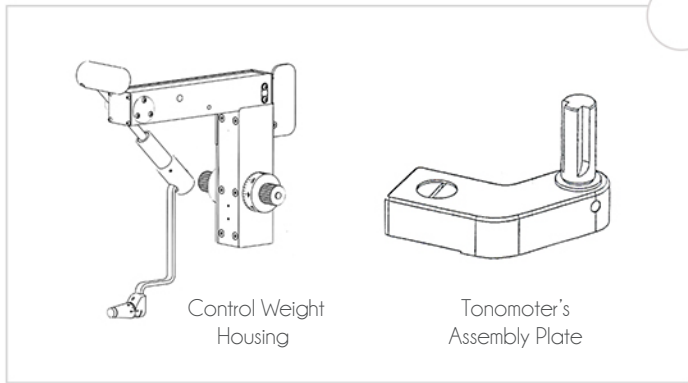
TU-100

1. Control Weight Housing
2. Measurement Head
3. Sensor Arm
4. Rotating Knob with Measurement Drum
5. CE Data Plate with Serial Number
6. Assembly Plate Holes



Features:

- Ergonomic design, high quality optics and precision mechanical parts.
- TU-100 tonometers can also be mounted and combined with other manufacturers equipments.
- TU-100 is a accessory to Slit Lamp equipments used for measuring ocular pressure.
- Precise measurement of the small flattened area is made using a slit lamp at 10x magnification.
- TU-100 measures the pressure required for maintaining uniform applanation of the corneal surface.



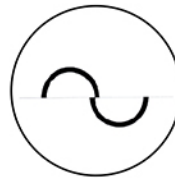
Tonometers

TU-100

Product Introduction



The Applanation Measuring Cone measures the amount of force needed to temporarily flatten part of your cornea, to prevent risk of developing glaucoma.



Examining the angle between the lighting unit and the microscope in the left or right eyepiece should be about 60°. Adjust until the image is bright & without reflections.



By turning the measurement drum to increase the pressure on the eye until a continuous, uniform applanated surface 3.06 mm in diameter (7,354 mm² area) is obtained.

Position of the measurement drum	Force mN	Force kPa	Pressure mmHg
1	9.81	1.33	10
2	19.62	2.66	20
3	29.43	39.9	30
4	39.24	53.2	40
5	49.05	66.5	50
6	58.86	79.8	60
7	68.67	93.1	70
8	78.48	106.4	80

Measuring Ocular Pressure's relationship between the pressure of the measurement drum and the force and pressure on the applanated surface.



Tonometer provides extreme measurement accuracy and the value is directly readable on the instrument, without any standardization and calibration difficulties.



The major advantage of applanation tonometry measurements is the limited extent of eyeball deformation.



Product Specifications **Tonometers**
TU-100

Measurements

Pressure Surface	7mm
Measurement Drum Surface	3.06mm (7,354mm ² area)
Conversations Pressure	mmHG to Kpa
Angle Light Source	60°
Tonomoter Scale	6 Calibrations
Measurement Force	Generated by the Spring
Measurement Range	0-10.6Kpa
Weight	950g (without accessories)
Size	210 x 150 x 85mm

