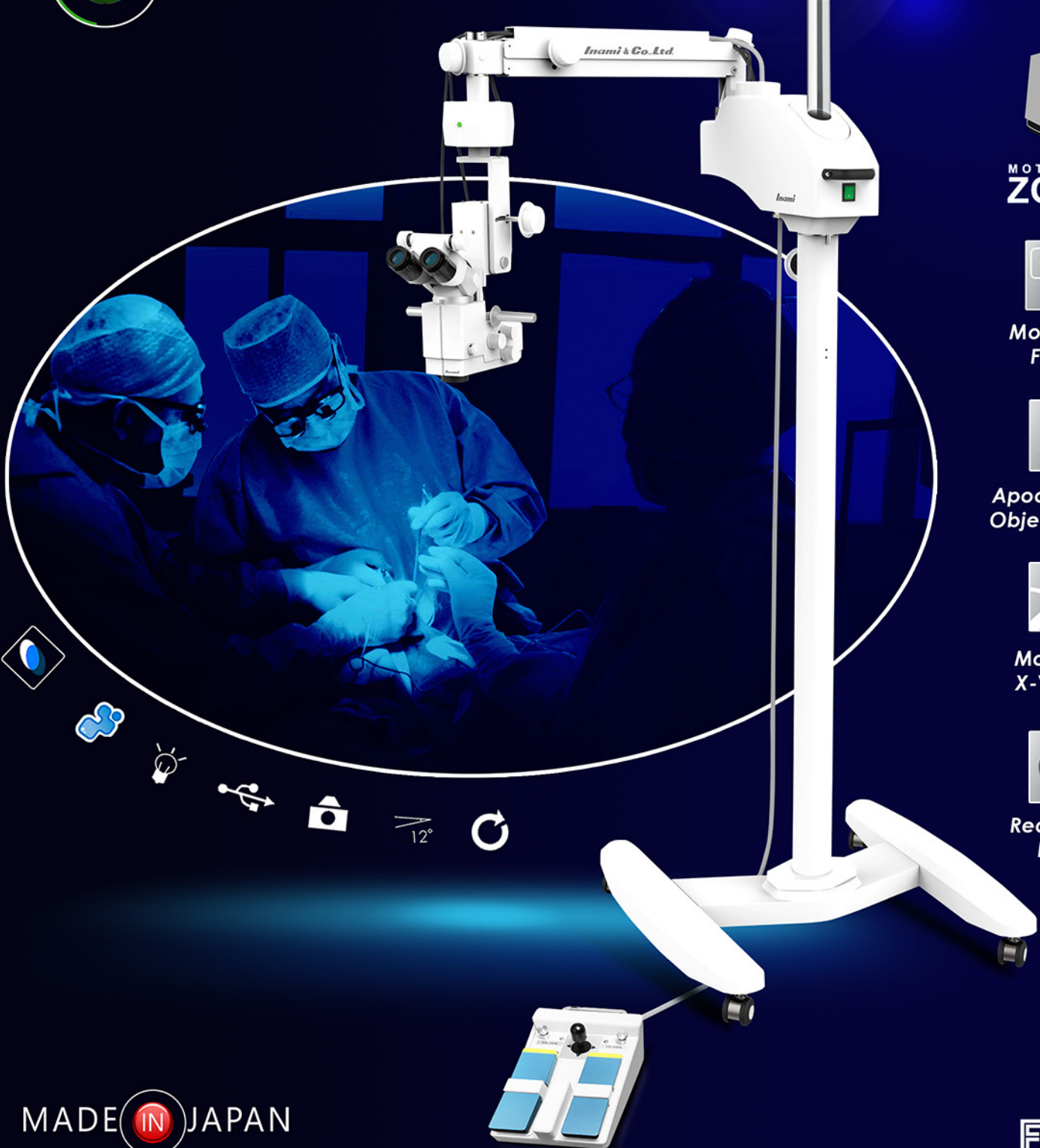


Inami SURGICAL

LED Microscopes L-0995-AZ



MOTORIZED
ZOOM



Motorized
Focus



Apochromatic
Objective Lens



Motorized
X-Y Stage



Red Reflex
Knob



MADE  JAPAN

FDA

Inami

MICROSCOPE

- Type: Galilean type tilting binocular microscope
- Magnification Changer: Continuous Auto Zoom
- Eyepiece: 12.5x High Eye-point
- Total Magnification: 4.4x - 26.4x
- Field of View: $\Phi 48\text{mm}$ - $\Phi 8\text{mm}$
- Pupillary Adjustment: 54mm - 70mm
- Objective Lens: Apochromatic F=200mm
- Diopter Adjustment: -7D - +7D
- Total Weight: 92 kgs
- Dimensions: 700(W) \times 1490(D) \times 1720(H)

ILLUMINATION

- Light Source: LED 13.5V 16W
- P.D. Adjustment: 55-75mm
- Maximum Intensity: 60,000Lux
- Co-axial Illumination Field: $\Phi 45\text{mm}$
- Filter: Cobalt, Red Free, Heat absorption, 1/2ND, color temperature conversion filter

FOCAL ADJUSTMENTS

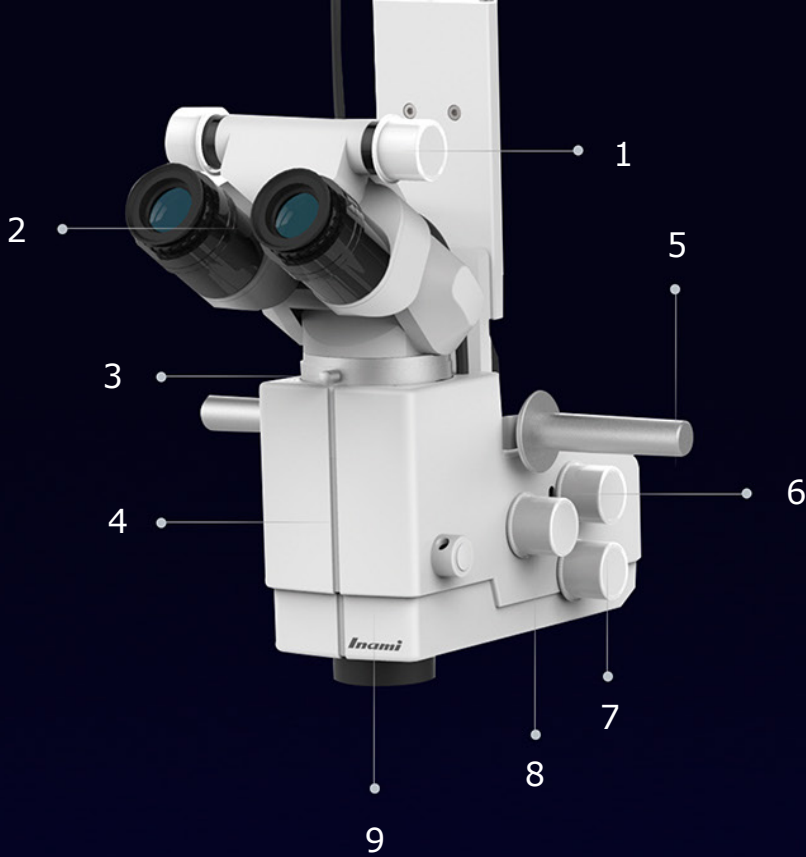
- Type: Motorized
- Adjustable Distance: 40mm
- Focusing Speed: 1.3mm / Sec
- Microscope Inclination: -7° to $+18^\circ$

FOOT REMOTE

- Type: Floor Type (Zoom Focus, X & Y Joystick operation)



Motorized Focusing Unit



L-0995-AZ features an adjustable inclined binocular which enables surgeons to operate with comfort and efficiency specially during retinal surgery. Also includes built-in illumination microscope filters (Cobalt, Blue, Red free, heat absorbing, 1/2ND).

1. PD Adjustment Telescope
2. Eyepiece 12.5x
3. Microscope Fixing Screw
4. Microscope with 45° Tilt
5. Microscope Handles
6. 6° Coaxial Illumination with filter
7. Red Reflex Knob
8. Switching Filter Knob
9. Objective Lens (F=175mm)

Power Controller Microscope Arm

L-0995-AZ microscopes main illuminator employs a two set of bright and cool 15V 150W LED lamps bulbs with a max intensity 110,000 Lux. One is used for actual illumination and the other is a spare light source that can be switched in case of emergency.

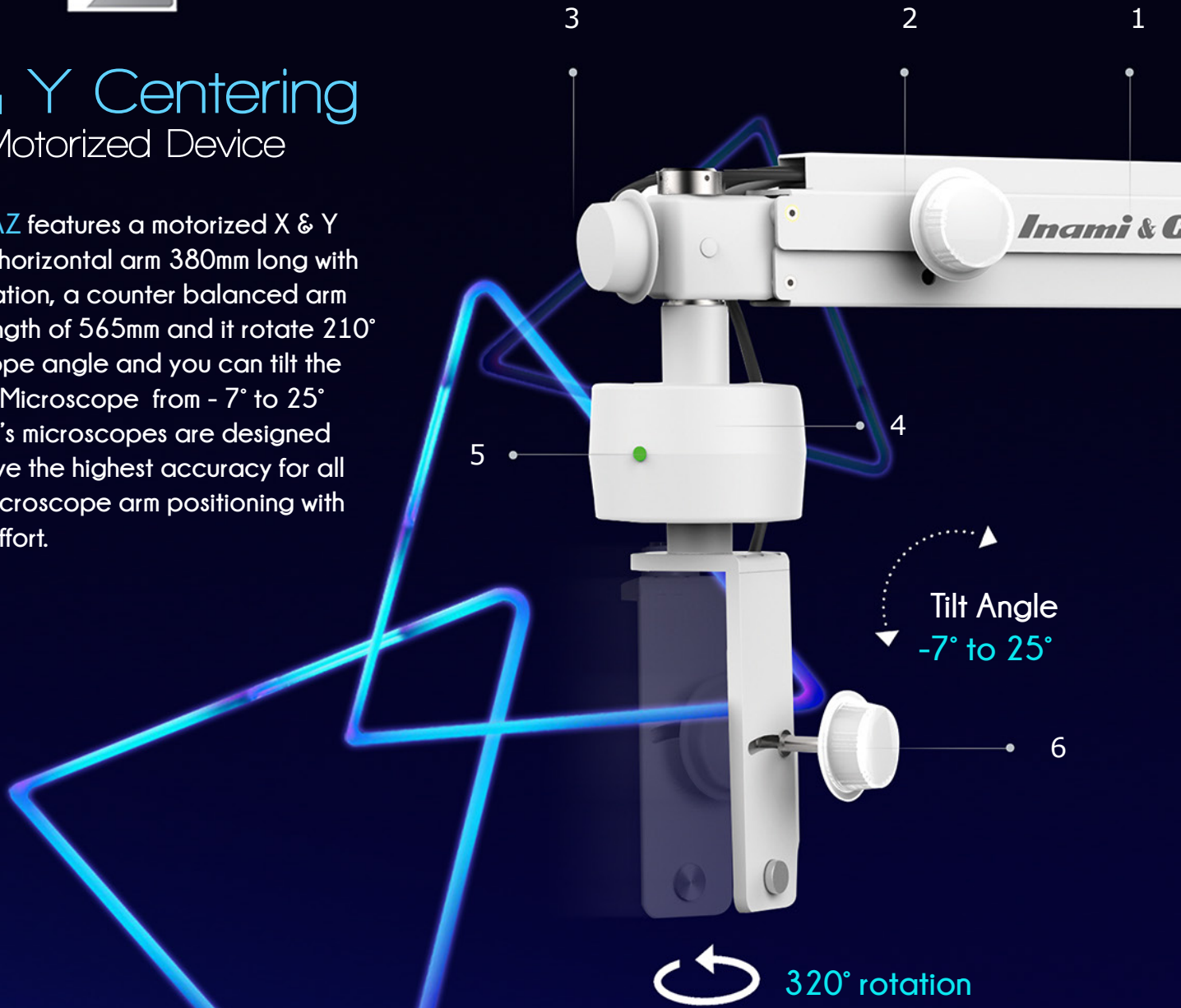
10. Microscope Arm 2 Assembly
11. Microscope Arm 1
12. Monitor Assembly Pole (Optional)
13. Microscope & Foot Pedal Power Supply
14. Microscope Arm 1 Fixing Knob
15. Power Supply Switch





X & Y Centering Motorized Device

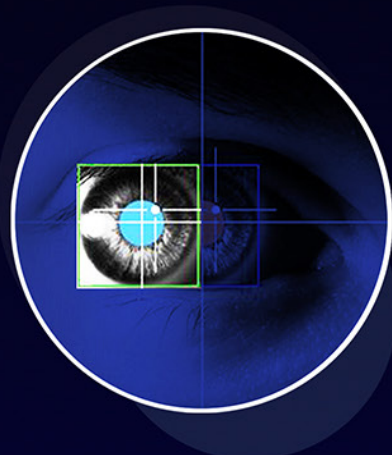
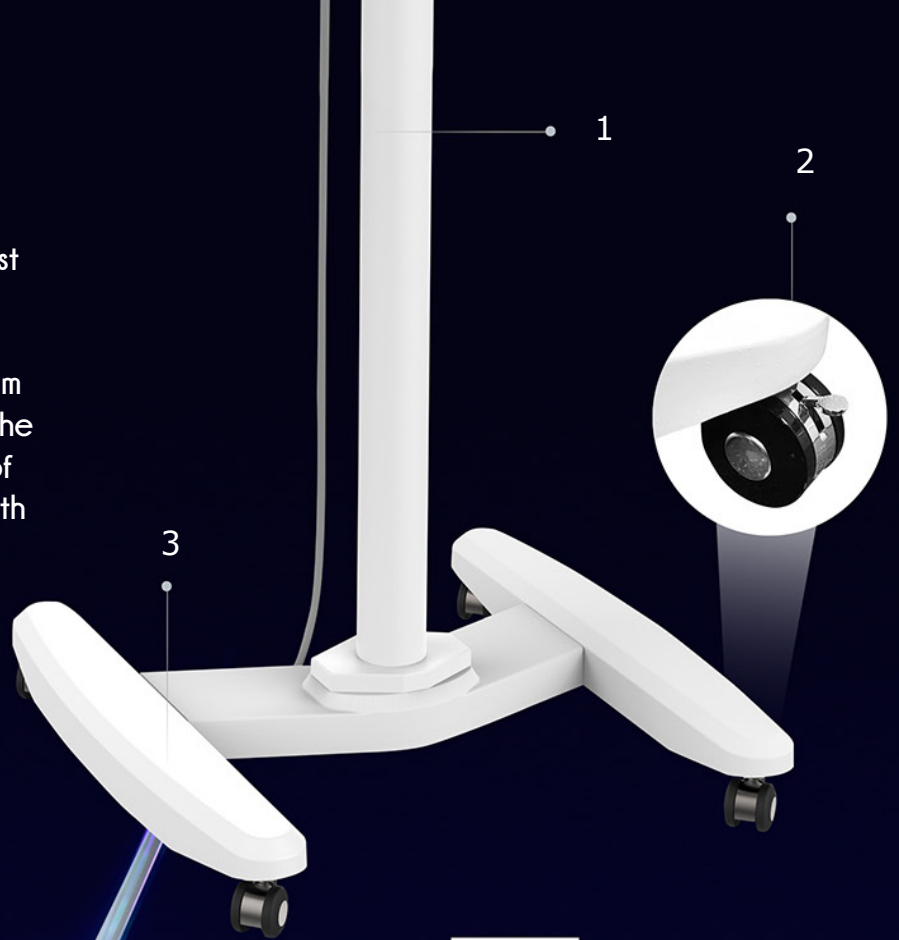
L-0995-AZ features a motorized X & Y stage, a horizontal arm 380mm long with 320° rotation, a counter balanced arm with a length of 565mm and it rotate 210° Microscope angle and you can tilt the angle of Microscope from -7° to 25° All INAMI's microscopes are designed to achieve the highest accuracy for all or any microscope arm positioning with minimal effort.



1. Counter-Balanced Arm
2. Second Arm Tighten Knob
3. X-Y Unit Tighten Knob
4. X-Y Control Motorized Unit
5. Centering Switch
6. Microscope Tighten Knob

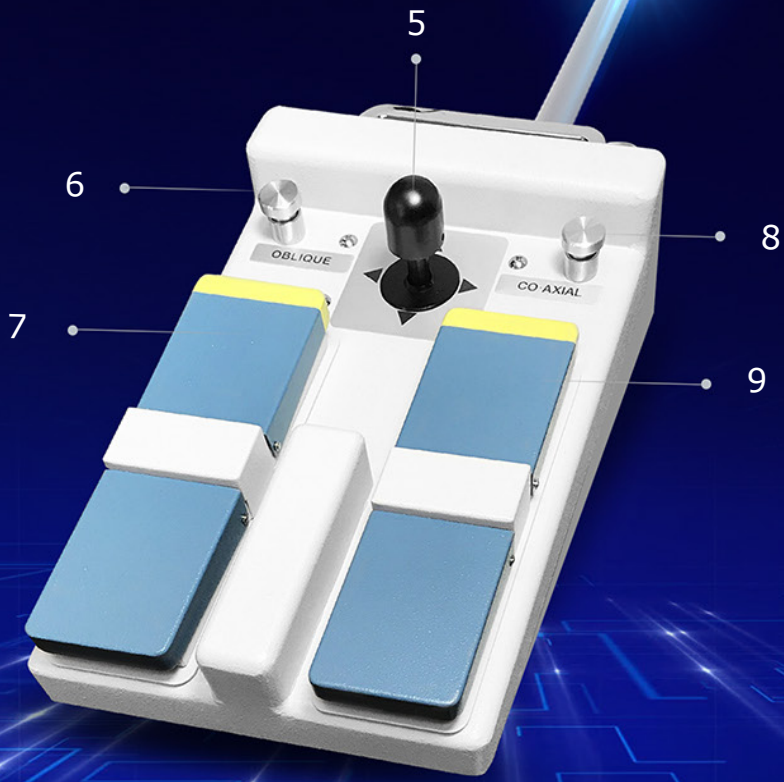
Four Leg Base Mechanism

L-0995AZ was designed for the highest stability with stable H-type base with casters and well balanced counter arms mounted on the pole with 1350mm height. This stable structure achieves the highest accuracy for the positioning of the microscope arm at any position with minimal effort.



Foot Switch Operations

L-0995-AZ microscopes offers a user friendly foot switch pedal which controls and adjusts the coaxial illumination, and motorized micro-focusing movement of the X & Y system.

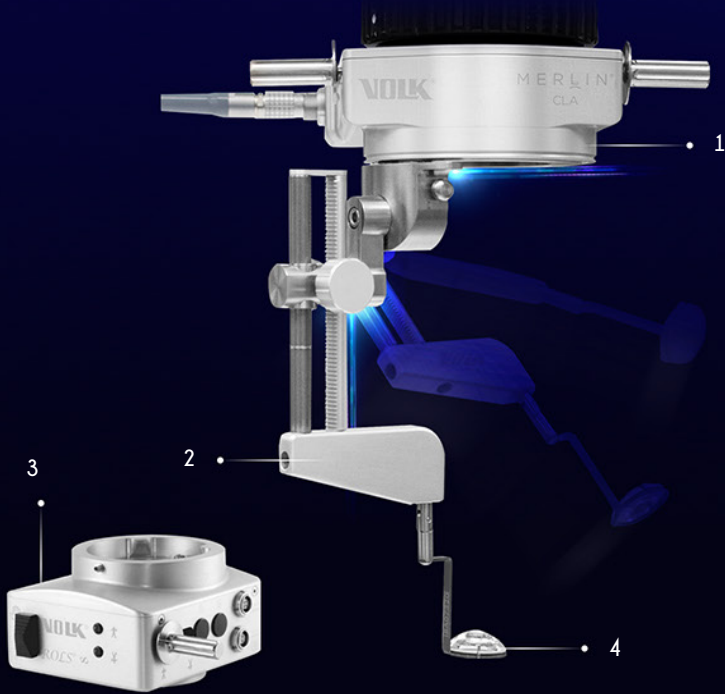


1. Microscope Pole
2. Wheel Lock Casters
3. Base Stand
4. Foot Pedal Power Supply Cable
5. Foot Joystick Foot Switch
6. Oblique Switch
7. Focus Foot Switch
8. Co-Axial Switch
9. Zoom Magnification Pedal

Universally
COMPATIBLE

Wide Angle Viewing System

All compatible accessories listed below are not available for sale. All purchases need to be directly issued with manufacturer.



1. Condensing Lens Assembly
2. Lens Positioning Unit
3. High Resolution Surgical Lenses
4. Microscope Reverter

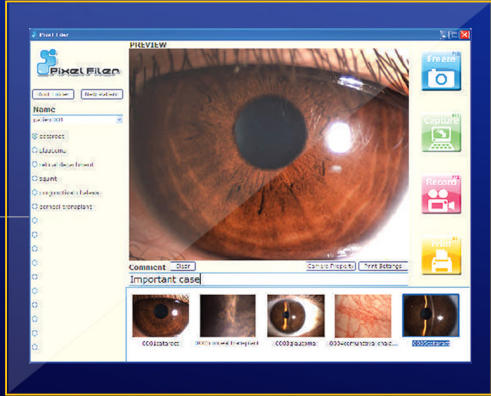
OCULUS®
BIOM

L-0995-AZ microscopes offers another optional wide angle viewing system that holds a lens away from the eye allowing fine focus and a panoramic view, even through small pupils.



VOLK **MERLIN®**
Surgical System

Inami microscopes **L-0995-AZ** offers an optional wide angle viewing system, designed with high quality lenses to view the retina with superior sharpness and depth of field.



1



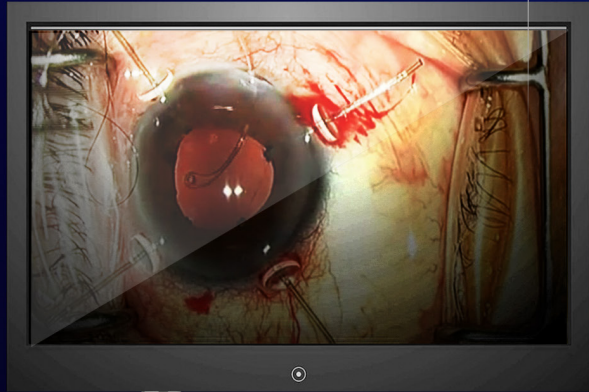
2



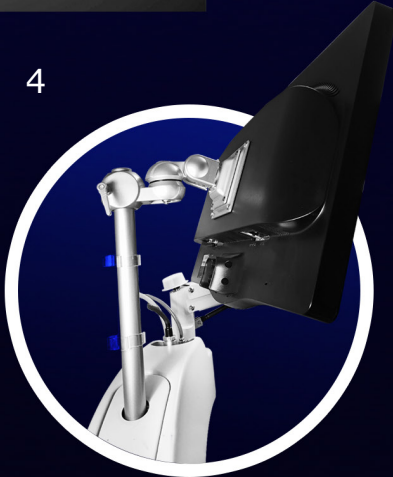
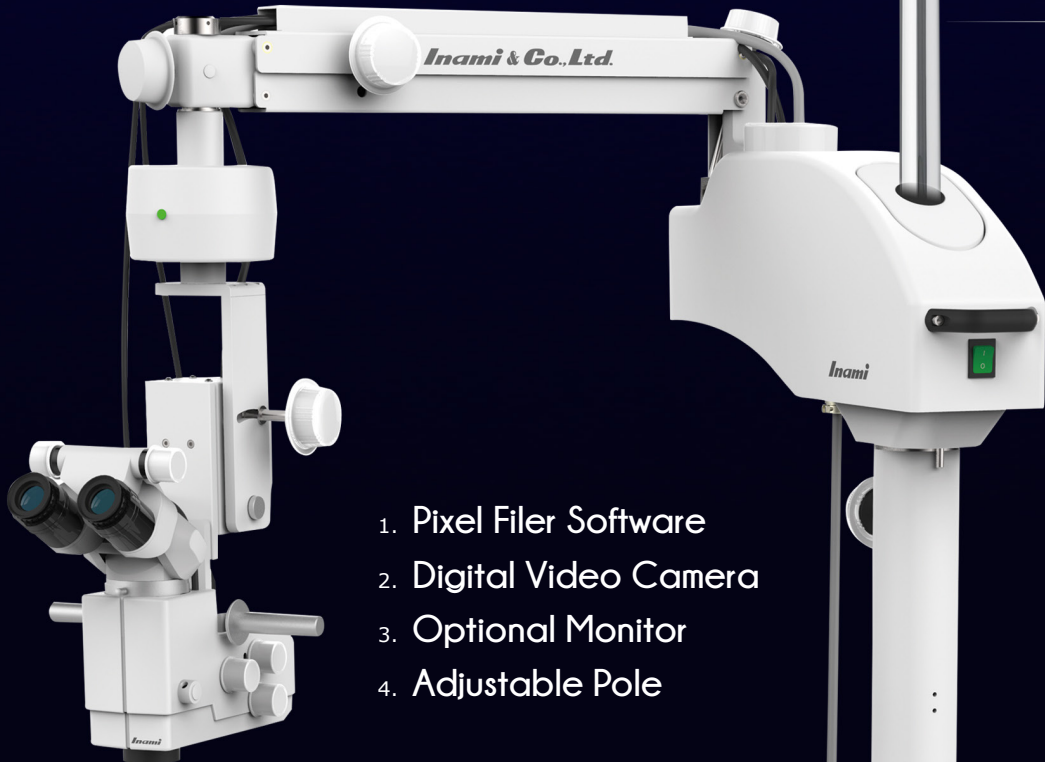
Digital Video Camera

Inami microscopes offers an optional USB digital camera, with a unique software where you can store and create your own patient data base to capture high quality digital photos and videos.

3



4



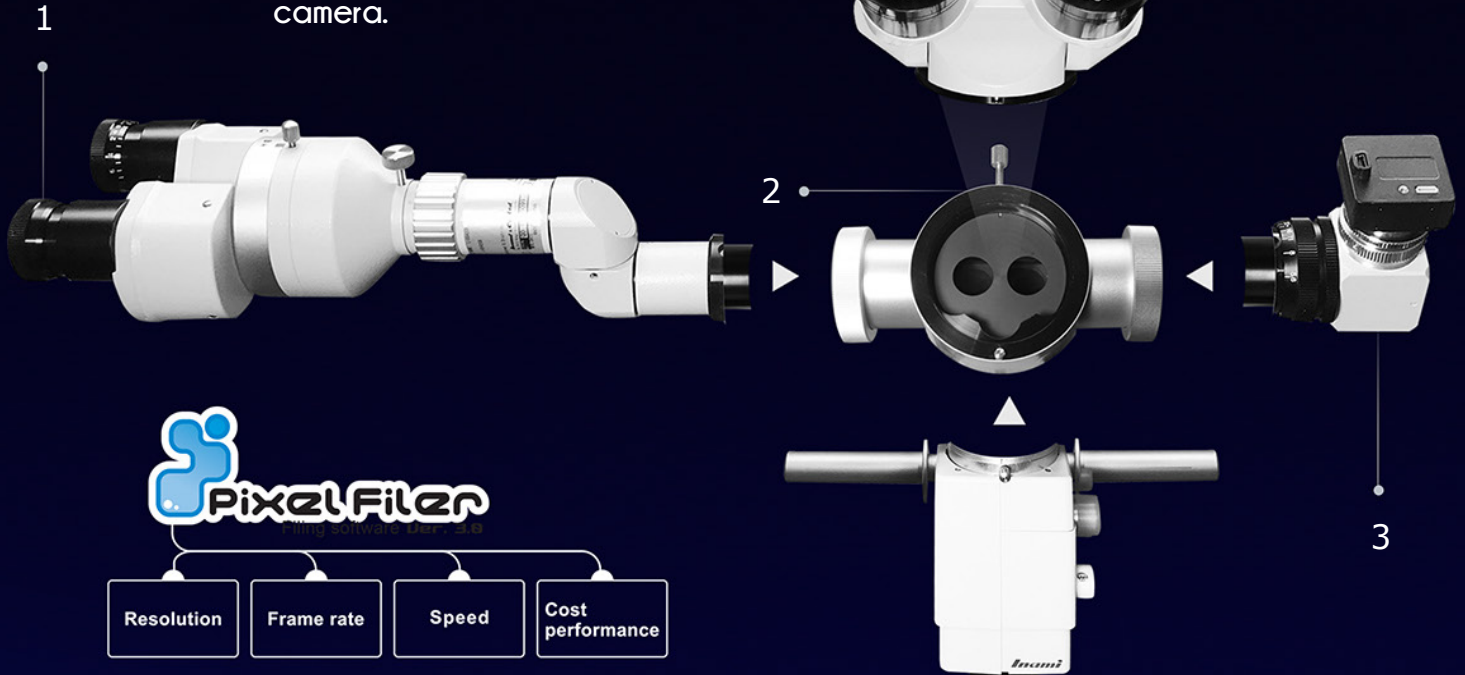
- 1. Pixel Filer Software
- 2. Digital Video Camera
- 3. Optional Monitor
- 4. Adjustable Pole

Inami's microscope L-0995-AZ are designed with multi functional accessories such as the display monitor with a secured and heavy duty adjustable mount for clear and detailed view during all surgical observations.



Microscope – Accessories

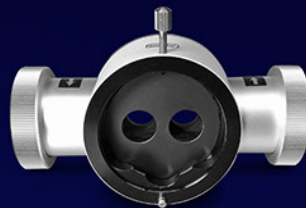
L-0995-AZ ergonomic design microscope features an optional C mount system, double beam splitter, assistant binocular microscope, and video USB camera.



Assistant Binocular
Microscope

1

The optional high quality assistant binocular coaxial microscope offers an apochromatic optics which allows the observer to magnify and visualize the red flex with easy and control.



Beam Splitter
Devices

2

All operation microscopes features an optional beam splitter that can be easily assembled and it allows you to attached many other Inami optional accessories.



Video Camera Adaptor
C-Mount F=70mm

3

This optional video digital camera adapter is designed for a easy and quick assembly access while adding the USB digital camera.