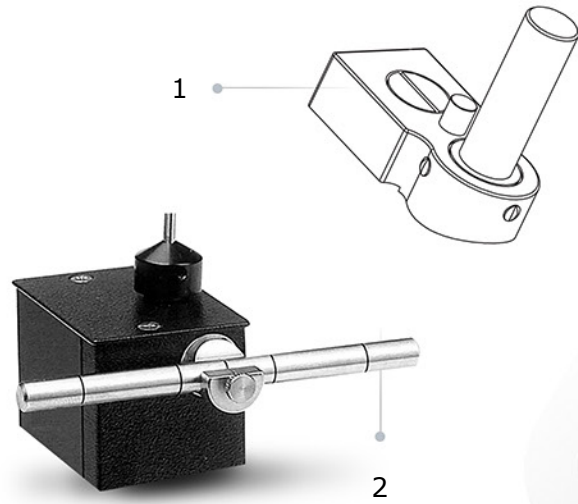




*Tonometer*  
**RU-900**

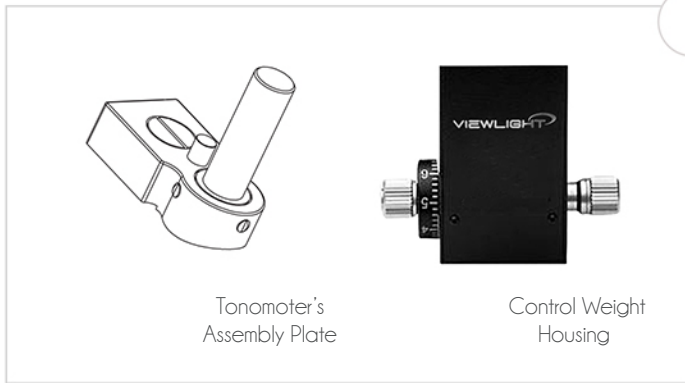
# Tonometer RU-900

1. Screw to Fix RU-900 Plate
2. Adjusting Rod
3. Bearing for RU-900
4. Fixing Hole on Plate
5. Measurement Head
6. Sensor Arm
7. Control Weight Housing
8. Rotating Knob with Measurement Drum



## Features:

- Ergonomic design, high quality optics and precision mechanical parts.
- RU-900 tonometers can also be mounted and combined with other manufacturers equipments.
- RU-900 is an accessory to Slit Lamp devices used for measuring ocular pressure.
- Precise measurement of the small flattened area is made using a slit lamp at 10x magnification.
- RU-900 measures the pressure required for maintaining uniform applanation of the corneal surface.

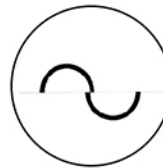


## Product Introduction

# Tonometers RU-900



The Applanation Measuring Cone measures the amount of force needed to temporarily flatten part of your cornea, to prevent risk of developing glaucoma.



Examine the angle between the lighting unit and the microscope in the left or right eyepiece should be about 60°. Adjust until the image is bright & without reflections.



By turning the measurement drum to increase the pressure on the eye until a continuous, uniform applanated surface 3.06 mm in diameter (7,354 mm<sup>2</sup> area) is obtained.

Position of the measurement drum	Force mN	Pressure kPa	mmHg
1	9,81	1,33	10
2	19,62	2,66	20
3	29,43	39,9	30
4	39,24	53,2	40
5	49,05	66,5	50
6	58,86	79,8	60
7	68,67	93,1	70
8	78,48	106,4	80

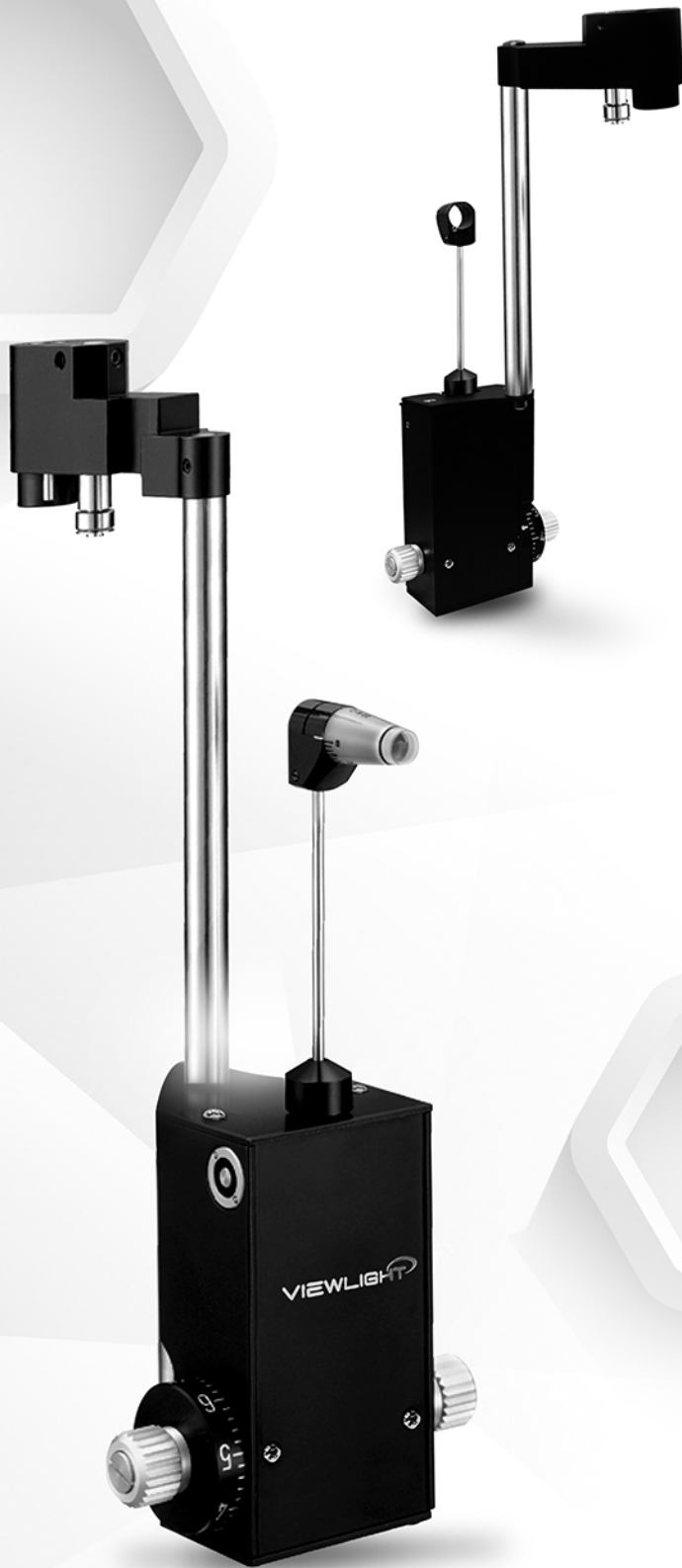
Measuring Ocular Pressure's relationship between the pressure of the measurement drum and the force and pressure on the supplanted surface.



Tonometer provides extreme measurement accuracy and the value is directly readable on the instrument, without any standardization and calibration difficulties.



The major advantage of applanation tonometry measurements is the limited extent of eyeball deformation.



*Tonometers*

Product Specifications

**RU-900**

Measurements

Pressure Surface	7mm
Measurement Drum Surface	3.06mm <sup>2</sup> (7,354mm area)
Conversations Pressure	mmHG to Kpa
Angle Light Source	60°
Tonometer Scale	6 Calibrations
Measurement Force	Generated by the Spring
Measurement Range	0 / 80 mmHG (0/10,64kPA)
Weight	0.48 kg (without accessories)
Operrating Temperature Range	from 15 °C to 30 °C

